



PEACE, PROSPERITY AND
REGIONAL INTEGRATION



**THE INTERGOVERNMENTAL AUTHORITY ON
DEVELOPMENT (IGAD)**

**STANDARD BIDDING DOCUMENTS FOR
PROCUREMENT OF GOODS**

B I D D I N G D O C U M E N T S

for

Procurement of:

**Supply of Apiary and its Accessories – Akendeyu, Kurmuk Woreda,
Benishangul-Gumuz Region**

CONTRACT NUMBER: IGAD -OCBN/G/03/2024

Issued on: 7th August 2024

Table of Contents

Invitation for Bids (IFB)..... 1

PART 1 – Bidding Procedures..... 2

Section I. Instructions to Bidders.....3

Section II. Bidding Data Sheet (BDS)31

Section III. Award, Evaluation and Qualification/Selection Criteria39

Section IV. Bidding Forms1

ADMINISTRATIVE COMPLIANCE FORM FOR GOODS..... 17

EVALUATION GRID FOR GOODS..... 18

Section V. Schedule of Requirements19

PART 3 - Contract..... 43

Invitation for Bids (IFB)

The Intergovernmental Authority on Development (IGAD) now invites proposals to provide the following goods and related/ancillary services: Supply of Apiary and its Accessories – Akendeyu, Kurmuk Woreda/Benishangul-Gumuz Region in Ethiopia - IGAD -OCBN/G/03/2024

More details on the Goods and Related Services are provided in the attached Supply Requirements.

A contractor shall be selected under the *Open Competition Tender* procurement method and procedures described in this Bidding Documents.

The Bidding Documents includes the following documents:

PART 1 – Bidding Procedures

Section I. Instructions to Bidders

Section II. Bidding Data Sheet (BDS)

Section III. Evaluation

Section IV. Bidding Forms

PART 2 – Supply Requirements

Section V. Schedule of Requirements

PART 3 - Contract

Please inform us, upon receipt, within maximum twenty (20) days:

- (a) that you received the bidding documents; and
- (b) whether you shall submit a proposal (if not state the reasons).

Yours sincerely,

Dereje Wakjira (PhD)

Director , ICPALD

Email: icpald@igad.int

PART 1 – Bidding Procedures

Section I. Instructions to Bidders

Table of Contents

Definitions	5
A. General	6
1. Scope of Bid.....	6
2. Fraud and Corruption.....	7
3. Eligible Bidders.....	9
4. Eligible Goods and Related Services.....	11
B. Contents of Bidding Documents	11
5. Sections of Bidding Documents.....	11
6. Clarification of Bidding Documents.....	12
7. Amendment of Bidding Documents.....	12
C. Preparation of Bids	13
8. Cost of Bidding.....	13
9. Language of Bid.....	13
10. Documents Comprising the Bid.....	13
11. Bid Submission Form, Technical Offer Form and Price Schedules.....	14
12. Alternative Bids.....	14
13. Bid Prices and Discounts.....	14
14. Currencies of Bid.....	17
15. Documents Establishing the Eligibility of the Bidder.....	17
16. Documents Establishing the Eligibility of the Goods and Related Services.....	17
17. Documents Establishing the Conformity of the Goods and Related Services.....	17
18. Documents Establishing the Qualifications of the Bidder.....	18
19. Period of Validity of Bids.....	18
20. Bid Security.....	19
21. Format and Signing of Bid.....	20
D. Submission and Opening of Bids	21
22. Submission, Sealing and Marking of Bids.....	21
23. Deadline for Submission of Bids.....	21
24. Late Bids.....	21
25. Withdrawal, Substitution, and Modification of Bids.....	22
26. Bid Opening.....	22
E. Evaluation and Comparison of Bids	23
27. Confidentiality.....	23

28.	Clarification of Bids.....	24
29.	Responsiveness of Bids.....	24
30.	Nonconformities, Errors, and Omissions.....	24
31.	Preliminary Examination of Bids.....	25
32.	Examination of Terms and Conditions; Technical Evaluation.....	25
33.	Evaluation of Bids.....	26
34.	Comparison of Bids	27
35.	Contracting Authority’s Right to Accept Any Bid, and to Reject Any or All Bids.....	27
F. Award of Contract		27
36.	Award Criteria	27
37.	Contracting Authority’s Right to Vary Quantities at Time of Award	28
38.	Notification of Award.....	28
39.	Signing of Contract	29
40.	Performance Security	29

Section I. Instructions to Bidders

Definitions

Definitions

- (a) **“BD”** means the Bidding Documents to be prepared by the Contracting Authority for the selection of Contractor, based on a Standard Template.
- (b) **“Bidder”** means company or joint venture/ consortium invited to submit technical and financial proposal for this contract.
- (c) **“Contract”** means the agreement between the Contracting Authority and a supplier to supply financed by IGAD and it includes the contract agreement, the General Conditions (GC), the Special Conditions (SC) and any other document referred to or specified in the contract.
- (d) **“Contracting Authority”** means the legal person in charge of the procurement procedure including contracting.
- (e) **“Contractor”** means any legal entity that may deliver or delivers the goods to the Contracting Authority under the Contract.
- (f) **“Bid Data Sheet(BDS)”** means such part of the Instructions to Bidders used to reflect specific contract and assignment conditions.
- (g) **“Day”** means calendar day.
- (h) **“IGAD”** means Intergovernmental Authority on Development as established in Article 3 of the Agreement.
- (i) **“Instructions to Bidders”** (Section 2 of the BD) means the document which provides shortlisted Bidders with all information needed to prepare their Proposals.
- (j) **“Goods”** means the supplies to be delivered by the Contractor pursuant to the Contract.
- (k) **“Letter of invitation (LOI)”** (Section 1 of the BD) means the Letter of Invitation being sent by the Contracting Authority to the shortlisted Bidders in case of procurements through restricted procedure. In procurements through open tender procedure there shall be no letter of invitation.
- (l) **“Limited Tender”** means a variation of Prequalification Tender whereby the list of companies to be invited to submit bids is not determined by prequalification but through market research done internally at the Contracting Authority.
- (m) **“Open Tender”** means a procurement method for acquisition of goods, works and services which involves an invitation to submit a full bid in a competitive bidding process without pre-qualification to all interested economic operators.

- (n) **“Personnel”** means professionals and support staff provided by the Bidders or by any Sub-Contractors and assigned to perform the Services or any part thereof; **“Foreign Personnel”** means such professionals and support staff who at the time of being so provided had their domicile outside the Contracting Authority’s country; **“Local Personnel”** means such professionals and support staff who at the time of being so provided had their domicile inside the Contracting Authority’s country.
- (o) **“Pre-qualification Tender”** means a procurement method whereby the first step is a competitive pre-qualification and the second step an invitation to bid to pre-qualified bidders only.
- (p) **“Proposal”** means the Technical Proposal and the Financial Proposal.
- (q) **“Related/ancillary Services”** means the secondary services related to the main Goods contract which shall be also offered (training, maintenance etc)
- (r) **“Subcontractor”** means any person or entity with whom the Bidder or Contractors intends to subcontract any part of the contract.
- (s) **“Technical Specifications”** means the document included in the BD as Section V that provides the minimum technical characteristics and the quantities of goods and related/ancillary services need by the Contracting Authority from the Contractor.
- (t) **“Tender Committee”** it is a panel of experts appointed by the Contracting Authority and assigned to evaluate the bids.

A. General

- 1. **Scope of Bid**
 - 1.1 The Contracting Authority **indicated in the Bidding Data Sheet (BDS)**, issues these Bidding Documents for the supply of Goods and Related Services incidental thereto as specified in Section V, Schedule of Requirements. The name and identification number of the contract for this procurement are **specified in the BDS**. The name, identification, and number of lots of are **provided in the BDS**.
 - 1.2 The procurement method used for acquisition of the Goods and Related Services incidental thereto as specified in Section V, Schedule of Requirements of Invitation, is as indicated in **the Bidding Data Sheet**, method detailed in the edition of the Procurement Manual indicated in **the Bidding Data Sheet**.
 - 1.3 The Bidders are invited to submit a Technical Proposal and a Financial Proposal for the goods and related services specified in Section V, Schedule of Requirements.

1.4 Unless otherwise **specified in the BDS**, when the Contract is divided into lots, Bidders may bid for one, more or for all lots as they wish. However, the quantity of goods and ancillary services indicated under each individual lot shall be indivisible. Bids for only part of the goods and related/ancillary services indicated under each lot shall be considered incomplete and automatically disqualified.

2. Fraud and Corruption

2.1 It is IGAD policy to require that the Contracting Authority as well as bidders, suppliers, and contractors and their subcontractors under IGAD financed contracts, observe the highest standard of ethics during the procurement and execution of such contracts.¹ In pursuance of this policy, IGAD:

- (a) defines, for the purposes of this provision, the terms set forth below as follows:
 - (i) “corrupt practice”² is the offering, giving, receiving or soliciting, directly or indirectly, of anything of value to influence improperly the actions of another party;
 - (ii) “fraudulent practice”³ is any act or omission, including a misrepresentation, that knowingly or recklessly misleads, or attempts to mislead, a party to obtain a financial or other benefit or to avoid an obligation;
 - (iii) “collusive practice”⁴ is an arrangement between two or more parties designed to achieve an improper purpose, including to influence improperly the actions of another party.
 - (iv) “coercive practice”⁵ is impairing or harming, or threatening to impair or harm, directly or indirectly, any party or the property of the party to influence improperly the actions of a party.
 - (v) “obstructive practice” is

¹ In this context, any action taken by a bidder, supplier, contractor, or a sub-contractor to influence the procurement process or contract execution for undue advantage is improper.

² “another party” refers to a public official acting in relation to the procurement process or contract execution]. In this context, “public official” includes IGAD staff and employees of other organizations taking or reviewing procurement decisions.

³ a “party” refers to a public official; the terms “benefit” and “obligation” relate to the procurement processor contract execution; and the “act or omission” is intended to influence the procurement process or contract execution.

⁴ “parties” refers to participants in the procurement process (including public officials) attempting to establish bid prices at artificial, noncompetitive levels.

⁵ a “party” refers to a participant in the procurement process or contract execution.

- (aa) deliberately destroying, falsifying, altering or concealing material evidence to the investigation or making false statements to investigators in order to materially impede IGAD, or a governmental or independent investigation into allegations of a corrupt, fraudulent, coercive, or collusive practice; and/or threatening, harassing, or intimidating any party to prevent it from disclosing its knowledge of matters relevant to the investigation or from pursuing the investigation, or
 - (bb) acts intended to materially impede the exercise of the IGAD or governmental inspection and audit rights.
- (b) It shall take the following measures against the bidder recommended for award who has, directly or through an agent, engaged in corrupt, fraudulent, collusive, coercive, or obstructive practices in competing for the contract in question.
 - (i) shall reject the bid for award.
 - (ii) shall declare the bidder/the contractor, including its affiliates, ineligible, either indefinitely or for a stated period of time, to become a contractor of IGAD funded contracts.
 - (iii) shall cancel or terminate any ongoing contract with the bidder /the contractor;
 - (iv) shall request the relevant national authorities to conduct a joint investigation with IGAD to inspect or carry out audits of the bidder /the contractor' accounting records and financial statements in connection with the contract in question for which it was found guilty of engaging in corrupt, fraudulent, collusive, coercive, or obstructive practices.
 - (v) shall forfeit the bid or performance securities of the bidder /the contractor.
 - (vi) shall suspend any payments due to the bidder/ contractor, under the contract in question or any other contract the bidder/contractor might have with the organization, until the extent of damage caused by its engagement in corrupt, fraudulent, collusive, coercive or obstructive practices in competing for the IGAD funded contract are determined and recovered, and

(vii) shall sue the bidder /contractor to recover the damages caused by its engagement in corrupt, fraudulent, collusive, coercive, or obstructive practices in competing for the contract in question, if they are not fully recovered by the securities and the payments otherwise due to the bidder/contractor.

3. Eligible Bidders

3.1 Pursuant the paragraph 3.2 to 3.4 of this Clause, participation in procurements and in award of contracts shall be open on equal terms to:

- (a) Natural persons, companies or firms, or associations or public or semi -public agencies.
- (b) Cooperative societies and other legal persons governed by public or private law.
- (c) Joint ventures, consortium, or association of firms.

3.2 Bidders shall not be eligible for the award of contracts where:

- (a) They are bankrupt.
- (b) Payments to them have been suspended in accordance with the judgment of a court of law other than a judgment declaring bankruptcy and resulting, in accordance with their national laws in the total or partial loss of the right to administer and dispose of their property.
- (c) Legal proceedings have been instituted against them involving an order suspending payments and which may result, in accordance with their national laws, in a declaration of bankruptcy or in any other situation entailing the total or partial loss of the right to administer and dispose of their property.
- (d) They have been convicted, by a final judgment, of any crime or offence concerning their professional conduct.
- (e) They are guilty of serious misrepresentation with regard to information required for participation in an invitation to bid; or
- (f) They have been sanctioned by IGAD pursuant IGAD rules.

3.3 In the event of a restricted procedure only shortlisted Bidders indicated in **the Bidding Data Sheet** are allowed to participate in this bidding process. If a Bidders is shortlisted as Joint Venture or Consortium, the composition of Joint Venture or Consortium can be changed with prior approval of the Contracting Authority and only if (i) is supported by solid and objective arguments, (ii) does not alter the competition, (iii) is not generating a conflict, and (iv) is not

invalidating the criteria and conditions in place when the joint venture or consortium was prequalified.

3.4 A Bidder shall not have a conflict of interest. All bidders found to have conflict of interest shall be disqualified. Bidders may be considered to have a conflict of interest with one or more parties in this bidding process, if they:

- (a) are or have been associated in the past, with a firm or any of its affiliates which have been engaged by the Contracting Authority to provide consulting services for the preparation of the design, specifications, and other documents to be used for the procurement of the general services to be purchased under these Bidding Documents. Affiliates are the group of companies, firms, associations, etc. where the Bidder or any of the major shareholders owns a minimum of twenty percent (20%) of shares of the share capital. For the same purpose, major shareholder is any legal or physical person who owns no less than twenty percent (20%) of the shares of the Bidder; or
- (b) submit more than one bid in this bidding process, except for alternative offers permitted under ITB Clause 13. However, this does not limit the participation of subcontractors in more than one bid: or
- (c) they have controlling partners in common.
- (d) they receive or have received any direct or indirect subsidy from any of them; or
- (e) they have the same legal representative for purposes of this bid; or
- (f) they have a relationship with each other, directly or through common third parties, that puts them in a position to have access to information about or influence on the bid of another Bidder, or influence the decisions of the Contracting Authority regarding this bidding process; or
- (g) a Bidder was affiliated with a firm or entity that has been hired (or is proposed to be hired) by the Contracting Authority as project manager, supervisor, assessor, monitor, evaluator, auditor or any others similar assignment for the contract.

3.5 A Bidder that is under a declaration of ineligibility by IGAD in accordance with ITB Clause 2, at the date of contract award, shall be disqualified. The list of debarred firms is available at the electronic address specified in the **BDS**.

4. Eligible Goods and Related Services 4.1 Unless otherwise stated **in the BDS**, IGAD does not restrict the **and** Goods and Related Services to be supplied under the Contract and on the basis of their origin.

4.2 For purposes of this Clause, the term “goods” includes commodities, raw material, machinery, equipment, and industrial plants; and “related services” includes services such as insurance, installation, training, and initial maintenance.

4.3 The term “origin” means the country where the goods have been mined, grown, cultivated, produced, manufactured, or processed; or, through manufacture, processing, or assembly, another commercially recognized article results that differs substantially in its basic characteristics from its components.

B. Contents of Bidding Documents

5. Sections of Bidding Documents 5.1 The Bidding Documents consist of Parts 1, 2, and 3, which include all the Sections indicated below, and should be read in conjunction with any Addendum issued in accordance with ITB Clause 7.

PART 1 Bidding Procedures

- Section I. Instructions to Bidders (ITB)
- Section II. Bidding Data Sheet (BDS)
- Section III. Evaluation Criteria
- Section IV. Bidding Forms

PART 2 Supply Requirements

- Section V. Schedule of Requirements

PART 3 Contract

- Section VI. Contract Forms
- Section VII. Special Conditions of Contract (SCC)
- Section VIII. General Conditions of Contract (GCC)

5.2 The Invitation for Bids issued by the Contracting Authority is not part of the Bidding Documents.

5.3 The Contracting Authority is not responsible for the completeness of the Bidding Documents and their addendum, if they were not obtained directly from the Contracting Authority.

5.4 The Bidder is expected to examine all instructions, forms, terms, and specifications in the Bidding Documents. Failure to furnish all information or documentation required by the Bidding Documents may result in the rejection of the bid.

6. Clarification of Bidding Documents

6.1 A prospective Bidder requiring any clarification of the Bidding Documents shall contact the Contracting Authority in writing at the Contracting Authority's address **specified in the BDS.**

(a) In the case of **Open Tender** procurement method, no later than ten days (10) days from the date of publication of bidding documents Contracting Authority shall respond to requests for clarification by posting response to each clarification identifying bidder seeking the clarification to the bidding documents by posting responses to each clarification not later than 14 days before the deadline for submission.

(b) In the case of Pre-qualification Tender or Limited Tender procurement method, no later than four (4) days from the date of issuance of bidding documents the Contracting Authority shall inform the shortlisted bidders of all the requests for clarifications received identifying the bidder seeking clarification and the answers provided not later than (7) days before the deadline for submission.

6.2. Where the Contracting Authority amends the Bidding Documents as a result of a clarification, it shall do so following the procedure under ITB Clause 7 and ITB Sub-Clause 23.2.

7. Amendment of Bidding Documents

7.1 At any time prior to the deadline for submission of bids, the Contracting Authority may amend the Bidding Documents by issuing addendum.

7.2 In case of Open Tender procurement method, the Contracting Authority shall publish the amended bidding documents on the website of the Contracting Authority or send the amended bidding documents to all shortlisted bidders.

7.3 In case of Pre-qualification Tender or Limited Tender procurement method, the Contracting Authority shall communicate the amended bidding documents to short listed bidders.

7.4 To give shortlisted bidders reasonable time in which to take an addendum into account in preparing their bids, the Contracting

Authority, at its discretion, extend the deadline for the submission of bids, pursuant to ITB Sub-Clause 23.2

C. Preparation of Bids

- 8. Cost of Bidding** 8.1 The Bidder shall bear all costs associated with the preparation and submission of its bid, and the Contracting Authority shall not be responsible or liable for those costs, regardless of the conduct or outcome of the bidding process.
- 9. Language of Bid** 9.1 The Bid, as well as all correspondence and documents relating to the bid exchanged by the Bidder and the Contracting Authority, shall be written in the language indicated in the **BDS**. Supporting documents and printed literature that are part of the Bid may be in another language provided they are accompanied by an accurate translation of the relevant passages into the official language of the bidding process, in which case, for purposes of interpretation of the Bid, such translation shall govern.
- 10. Documents Comprising the Bid** 10.1 The Bid shall comprise the following:
- (a) Bid Submission Form, Technical Offer Form, and the applicable Price Schedules, in accordance with ITB Clauses 11, 13, and 14.
 - (b) Bid Security, in accordance with ITB Clause 20, if required.
 - (c) written confirmation authorizing the signatory of the Bid to commit the Bidder, in accordance with ITB Clause 21.
 - (d) documentary evidence in accordance with ITB Clause 15 establishing the Bidder's eligibility to bid.
 - (e) documentary evidence in accordance with ITB Clause 16, that the Goods and Related Services to be supplied by the Bidder are of eligible origin.
 - (f) documentary evidence in accordance with ITB Clauses 17 and 29, that the Goods and Related Services conform to the Bidding Documents.
 - (g) documentary evidence in accordance with ITB Clause 18 establishing the Bidder's qualifications to perform the contract if its bid is accepted; and
 - (h) any other document **required in the BDS**.

- 11. Bid Submission Form, Technical Offer Form and Price Schedules**
- 11.1 The Bidder shall submit the Bid Submission Form using the form furnished in Section IV, Bidding Forms. This form must be completed without any alterations to its format, and no substitutes shall be accepted. All blank spaces shall be filled in with the information requested.
- 11.2 The Bidder shall submit the Technical Offer Form using the form furnished in Section IV, Bidding Forms. This form must be completed without any alterations to its format, and no substitutes shall be accepted. All blank spaces shall be filled in with the information requested.
- 11.3 The Bidder shall submit the Price Schedules for Goods and Related Services, according to their origin as appropriate, using the forms furnished in Section IV, Bidding Forms.
- 11.4 The bidder shall submit the selection criteria form attached to the bid submission form and evidence required to prove technical capacity, professional capacity and financial capacity in accordance with BDS.
- 12. Alternative Bids**
- 12.1 Unless otherwise **specified in the BDS**, alternative bids shall not be considered.
- 13. Bid Prices and Discounts**
- 13.1 The prices and discounts quoted by the Bidder in the Bid Submission Form and in the Price Schedules shall conform to the requirements specified below.
- 13.2 All lots and items must be listed and priced separately in the Price Schedules.
- 13.3 The price to be quoted in the Bid Submission Form shall be the total price of the bid, excluding any discounts offered.
- 13.4 The Bidder shall quote any unconditional discounts and indicate the method for their application in the Bid Submission Form.
- 13.5** The terms DDP, EXW, CIP, DAP and other similar terms shall be governed by the rules prescribed in the current edition of Incoterms, published by The International Chamber of Commerce, as specified in the **BDS**.
- 13.6 Prices shall be quoted as specified in each Price Schedule included in Section IV, Bidding Forms. The dis-aggregation of price components is required solely for the purpose of facilitating the comparison of bids by the Contracting Authority. This shall not in any way limit the Contracting Authority's right to contract on any of the terms offered. In quoting prices, the Bidder shall be free to use transportation through carriers registered in any eligible

country, in accordance with rules on Eligible Countries. Similarly, the Bidder may obtain insurance services from any eligible country in accordance with rules on Eligible Countries. Prices shall be entered in the following manner:

- (a) For Goods manufactured in the Contracting Authority's Country:
 - (i) the price of the Goods quoted EXW (ex-works, ex-factory, ex warehouse, ex showroom, or off-the-shelf, as applicable), including all customs duties and sales and other taxes already paid or payable on the components and raw material used in the manufacture or assembly of the Goods;
 - (ii) any Contracting Authority's Country sales tax and other taxes which shall be payable on the Goods if the contract is awarded to the Bidder; and
 - (iii) the price for inland transportation, insurance, and other local services required to convey the Goods to their final destination (Project Site) specified in the **BDS**.

- (b) For Goods manufactured outside the Contracting Authority's Country, to be imported:
 - (i) the price of the Goods, quoted CIP named place of destination, in the Contracting Authority's Country, or DDP, Delivery Duty Paid, as specified in the **BDS**;
 - (ii) the price for inland transportation, insurance, and other local services required to convey the Goods from the named place of destination to their final destination (Project Site) specified in the **BDS**;
 - (iii) in addition to the CIP prices specified in (b)(i) above, the price of the Goods to be imported may be quoted FCA (named place of destination) or CPT (named place of destination), if so specified in the **BDS**;

- (c) For Goods manufactured outside the Contracting Authority's Country, already imported:

[For previously imported Goods, the quoted price shall be distinguishable from the original import value of these Goods declared to customs and shall include any rebate or mark-up of the local agent or representative and all local costs except

import duties and taxes, which have been and/or have to be paid by the Contracting Authority. For clarity the bidders are asked to quote the price including import duties, and additionally to provide the import duties and the price net of import duties which is the difference of those values.]

- (i) the price of the Goods, including the original import value of the Goods; plus any mark-up (or rebate); plus any other related local cost, and custom duties and other import taxes already paid or to be paid on the Goods already imported.
 - (ii) the custom duties and other import taxes already paid (need to be supported with documentary evidence) or to be paid on the Goods already imported;
 - (iii) the price of the Goods, obtained as the difference between (i) and (ii) above;
 - (iv) any Contracting Authority's Country sales and other taxes which shall be payable on the Goods if the contract is awarded to the Bidder; and
 - (v) the price for inland transportation, insurance, and other local services required to convey the Goods from the named place of destination to their final destination (Project Site) specified in the **BDS**.
- (d) for Related Services, other than inland transportation and other services required to convey the Goods to their final destination, whenever such Related Services are specified in the Schedule of Requirements:
- (i) the price of each item comprising the Related Services (inclusive of any applicable taxes).

13.7 Prices quoted by the Bidder shall be fixed during the Bidder's performance of the Contract and not subject to variation on any account, unless otherwise specified in the **BDS**. A Bid submitted with an adjustable price quotation shall be treated as non-responsive and shall be rejected, pursuant to ITB Clause 29. However, if in accordance with the **BDS**, prices quoted by the Bidder shall be subject to adjustment during the performance of the Contract, a bid submitted with a fixed price quotation shall not be rejected, but the price adjustment shall be treated as zero.

13.8 If so indicated in ITB Sub-Clause 1.3, bids are being invited for individual contracts (lots) or for any combination of contracts

(packages). Bidders wishing to offer any price reduction (discount) for the award of more than one Contract shall specify the applicable price reduction in accordance with ITB Sub-Clause 13.4 provided the bids for all lots are submitted and opened at the same time.

- 14. Currencies of express in Bid**
- 14.1 The Bidder shall quote in US Dollars and Ethiopian Birr . **Bids any other currency shall be automatically rejected.**
- 14.2 The bidders shall bear all the associated cost and risk deriving from currency exchange from US Dollars into their normal currency of trade.
- 15. Documents Establishing the Eligibility of the Bidder**
- 15.1 To establish their eligibility in accordance with ITB Clause 3, Bidders shall complete the Bid Submission Form, included in Section IV, Bidding Forms.
- 16. Documents Establishing the Eligibility of the Goods and Related Services**
- 16.1 To establish the eligibility of the Goods and Related Services in accordance with ITB Clause 4, Bidders shall complete the country-of-origin declarations in the Price Schedule Forms, included in Section IV, Bidding Forms.
- 17. Documents Establishing the Conformity of the Goods and Related Services**
- 17.1 To establish the conformity of the Goods and Related Services to the Bidding Documents, the Bidder shall furnish as part of its Bid the documentary evidence that the Goods conform to the technical specifications and standards specified in Section V, Schedule of Requirements.
- 17.2 The documentary evidence may be in the form of literature, drawings or data, and shall consist of a detailed item by item description of the essential technical and performance characteristics of the Goods and Related Services, demonstrating substantial responsiveness of the Goods and Related Services to the technical specification, and if applicable, a statement of deviations and exceptions to the provisions of the Schedule of Requirements.
- 17.3 The Bidder shall also furnish a list giving full particulars, including available sources and current prices of spare parts, special tools, etc., necessary for the proper and continuing functioning of the Goods during the period **specified in the BDS** following commencement of the use of the goods by the Contracting Authority.
- 17.4 Standards for workmanship, process, material, and equipment, as well as references to brand names or catalogue numbers specified

by the Contracting Authority in the Schedule of Requirements, are intended to be descriptive only and not restrictive. The Bidder may offer other standards of quality, brand names, and/or catalogue numbers, provided that it demonstrates, to the Contracting Authority's satisfaction, that the substitutions ensure substantial equivalence or are superior to those specified in the Schedule of Requirements.

**18. Documents
Establishing the
Qualifications
of the Bidder**

18.1 The documentary evidence of the Bidder's qualifications to perform the contract if its bid is accepted shall establish to the Contracting Authority's satisfaction:

- (a) that, if **required in the BDS**, a Bidder that does not manufacture or produce the Goods it offers to supply shall submit the Manufacturer's Authorization using the form included in Section IV, Bidding Forms to demonstrate that it has been duly authorized by the manufacturer or producer of the Goods to supply these Goods in the Contracting Authority's Country;
- (b) that, if **required in the BDS**, in case of a Bidder not doing business within the Contracting Authority's Country, the Bidder is or shall be (if awarded the contract) represented by an Agent in the country equipped and able to carry out the Supplier's maintenance, repair and spare parts-stocking obligations prescribed in the Conditions of Contract and/or Technical Specifications; and
- (c) that the Bidder meets each of the qualification criterion specified in Section III, Evaluation and Qualification Criteria.

**19. Period of
Validity of Bids**

19.1 Bids shall remain valid for the period **specified in the BDS** after the bid submission deadline date prescribed by the Contracting Authority. A bid valid for a shorter period shall be rejected by the Contracting Authority as non-responsive.

19.2 In exceptional circumstances, prior to the expiration of the bid validity period, the Contracting Authority may request bidders to extend the period of validity of their bids. The request and the responses shall be made in writing. If a Bid Security is requested in accordance with ITB Clause 20, it shall also be extended for a corresponding period. A Bidder may refuse the request without forfeiting its Bid Security. A Bidder granting the request shall not be required or permitted to modify its bid, except as provided in ITB Sub-Clause 19.3.

19.3 In the case of fixed price contracts, if the award is delayed by a period exceeding fifty-six (56) days beyond the expiry of the initial bid validity, the Contract price shall be adjusted as specified in the request for extension. Bid evaluation shall be based on the Bid Price without taking into consideration the above correction.

20. Bid Security

20.1 The Bidder shall furnish as part of its bid, a Bid, if required, as **specified in the BDS.**

20.2 The Bid Security shall be in the amount specified in the **BDS** and denominated in US Dollars, and shall:

- (a) at the bidder's option, be in the form of either a letter of credit, or a bank guarantee from a banking institution;
- (b) be issued by a reputable banking institution selected by the bidder and located in any eligible country as **specified in the BDS.** If the institution issuing the bond is located outside the Contracting Authority's Country, it shall have a correspondent financial institution located in the Contracting Authority's Country to make it enforceable.
- (c) be substantially in accordance with the form of Bid Security included in Section IV, Bidding Forms, or other form approved by the Contracting Authority prior to bid submission;
- (d) be payable promptly upon written demand by the Contracting Authority in case the conditions listed in ITB Clause 20.5 are invoked;
- (e) be submitted in its original form; copies shall not be accepted;
- (f) remain valid for a period of 28 days beyond the validity period of the bids, as extended, if applicable, in accordance with ITB Clause 19.2;

20.3 If a Bid Security is required in accordance with ITB Sub-Clause 20.1, any bid not accompanied by a substantially responsive Bid Security in accordance with ITB Sub-Clause 20.1, shall be rejected by the Contracting Authority as non-responsive.

20.4 The Bid Security of unsuccessful Bidders shall be returned as promptly as possible upon the successful Bidder's furnishing of the Performance Security pursuant to ITB Clause 40.

20.5 The Bid Security may be forfeited or the Bid Securing Declaration executed:

- (a) if a Bidder withdraws its bid during the period of bid validity specified by the Bidder on the Bid Submission Form, except as provided in ITB Sub-Clause 19.2; or
- (b) if the successful Bidder fails to:
 - (i) sign the Contract in accordance with ITB Clause 39;
 - (ii) furnish a Performance Security in accordance with ITB Clause 40.

20.6 The Bid Security of a joint venture must be in the name of the joint venture that submits the bid. If the joint venture has not been legally constituted at the time of bidding, the Bid Security shall be in the names of all future partners as named in the letter of intent mentioned in Section IV “Bidding Forms,” Bidder Information Form Item 7.

20.7 If a bid security is **not required in the BDS**, and

- (a) if a Bidder withdraws its bid during the period of bid validity specified by the Bidder on the Letter of Bid Form, except as provided in ITB 19.2, or
- (b) if the successful Bidder fails to: sign the Contract in accordance with ITB 39; or furnish a performance security in accordance with ITB 40;

the Contracting Authority may, **if provided for in the BDS**, declare the Bidder disqualified to be awarded a contract by IGAD for a period of time **as stated in the BDS**.

21. Format and Signing of Bid

21.1 The Bidder shall prepare one original of the documents comprising the bid as described in ITB Clause 10 and clearly mark it “**ORIGINAL**”. In addition, the Bidder shall submit copies of the bid, in the number specified in the **BDS** and clearly mark them “**COPY**”. In the event of any discrepancy between the original and the copies, the original shall prevail.

21.2 The original and all copies of the bid shall be typed or written in indelible ink and shall be signed by a person duly authorized to sign on behalf of the Bidder.

21.3 Any interlineations, erasures, or overwriting shall be valid only if they are signed or initialed by the person signing the Bid.

D. Submission and Opening of Bids

22. Submission, Sealing and Marking of Bids

22.1 Bidders may always submit their bids by certified mail/courier or by hand. When so specified in the **BDS**, bidders shall have the option of submitting their bids electronically.

- (a) Bidders submitting bids by mail or by hand, shall enclose the original and each copy of the Bid, including alternative bids, if permitted in accordance with ITB Clause 12, in separate sealed envelopes, duly marking the envelopes as “**ORIGINAL**” and “**COPY**” These envelopes containing the original and the copies shall then be enclosed in one single envelope. The rest of the procedure shall be in accordance with ITB sub-Clauses 22.2 and 22.3.
- (b) Bidders submitting bids electronically shall follow the electronic bid submission procedures specified in the **BDS**.

22.2 The inner and outer envelopes shall:

- (a) Bear the name and address of the Bidder;
- (b) be addressed to the Contracting Authority in accordance with ITB Sub-Clause 23.1;
- (c) bear the specific identification of this bidding process indicated in ITB 1.1 and any additional identification marks as **specified in the BDS**; and
- (d) bear a warning not to open before the time and date for bid opening, in accordance with ITB Sub-Clause 26.1.

22.3 If all envelopes are not sealed and marked as required, the Contracting Authority shall assume no responsibility for the misplacement or premature opening of the bid.

23. Deadline for Submission of Bids

23.1 Bids must be received by the Contracting Authority at the address and no later than the date and time **specified in the BDS**.

23.2 The Contracting Authority may, at its discretion, extend the deadline for the submission of bids by amending the Bidding Documents in accordance with ITB Clause 7, in which case all rights and obligations of the Contracting Authority and Bidders previously subject to the deadline shall thereafter be subject to the deadline as extended.

24. Late Bids

24.1 The Contracting Authority shall not consider any bid that arrives after the deadline for submission of bids, in accordance with ITB Clause 23. Any bid received by the Contracting Authority after the

deadline for submission of bids shall be declared late, rejected, and returned unopened to the Bidder.

25. Withdrawal, Substitution, and Modification of Bids

25.1 A Bidder may withdraw, substitute, or modify its Bid after it has been submitted by sending a written notice in accordance with ITB Clause 22, duly signed by an authorized representative, and shall include a copy of the authorization (the power of attorney) in accordance with ITB Sub-Clause 21.2, (except that no copies of the withdrawal notice are required). The corresponding substitution or modification of the bid must accompany the respective written notice. All notices must be:

- (a) submitted in accordance with ITB Clauses 21 and 22 (except that withdrawal notices do not require copies), and in addition, the respective envelopes shall be clearly marked “**WITHDRAWAL**”, “**SUBSTITUTION**”, or “**MODIFICATION**”; and
- (b) received by the Contracting Authority prior to the deadline prescribed for submission of bids, in accordance with ITB Clause 23.

25.2 Bids requested to be withdrawn in accordance with ITB Sub-Clause 25.1 shall be returned unopened to the Bidders.

25.3 No bid may be withdrawn, substituted, or modified in the interval between the deadline for submission of bids and the expiration of the period of bid validity specified by the Bidder on the Bid Submission Form or any extension thereof.

26. Bid Opening

26.1 The Contracting Authority shall conduct the bid opening in public at the address, date and time **specified in the BDS**. Any specific electronic bid opening procedures required if electronic bidding is permitted in accordance with ITB Sub-Clause 22.1, shall be as **specified in the BDS**.

26.2 First, envelopes marked “**WITHDRAWAL**” shall be opened and read out and the envelope with the corresponding bid shall not be opened, but returned to the Bidder. If the withdrawal envelope does not contain a copy of the “power of attorney” confirming the signature as a person duly authorized to sign on behalf of the Bidder, the corresponding bid shall be opened. No bid withdrawal shall be permitted unless the corresponding withdrawal notice contains a valid authorization to request the withdrawal and is read out at bid opening. Next, envelopes marked “**SUBSTITUTION**” shall be opened and read out and exchanged with the corresponding Bid being substituted, and the substituted Bid shall not be opened, but returned to the Bidder. No Bid substitution

shall be permitted unless the corresponding substitution notice contains a valid authorization to request the substitution and is read out at bid opening. Envelopes marked “**MODIFICATION**” shall be opened and read out with the corresponding Bid. No Bid modification shall be permitted unless the corresponding modification notice contains a valid authorization to request the modification and is read out at Bid opening. Only envelopes that are opened and read out at Bid opening shall be considered further.

- 26.3 All other envelopes shall be opened one at a time, reading out: the name of the Bidder and whether there is a modification; the Bid Prices, including any discounts and alternative offers; the presence of a Bid Security or Bid-Securing Declaration, if required; and any other details as the Contracting Authority may consider appropriate. Only discounts and alternative offers read out at Bid opening shall be considered for evaluation. No Bid shall be rejected at Bid opening except for late bids, in accordance with ITB Sub-Clause 24.1.
- 26.4 The Contracting Authority shall prepare a record of the Bid opening that shall include, as a minimum: the name of the Bidder and whether there is a withdrawal, substitution, or modification; the Bid Price, per lot if applicable, including any discounts, and alternative offers if they were permitted; and the presence or absence of a Bid Security or Bid-Securing Declaration, if one was required. The Bidders’ representatives who are present shall be requested to sign the attendance sheet. A copy of the record shall be distributed to all Bidders who submitted bids in time, and posted online when electronic bidding is permitted.

E. Evaluation and Comparison of Bids

- 27. Confidentiality**
- 27.1 Information relating to the examination, evaluation, comparison, and qualification of bids, and recommendation of contract award, shall not be disclosed to bidders or any other persons not officially concerned with such process until publication of the Contract Award.
- 27.2 Any effort by a Bidder to influence the Contracting Authority in the examination, evaluation, and comparison, of the bids or contract award decisions may result in the rejection of its Bid.
- 27.3 Notwithstanding ITB Sub-Clause 27.2, from the time of bid opening to the time of Contract Award, if any Bidder wishes to contact the Contracting Authority on any matter related to the bidding process, it should do so in writing.

- 28. Clarification of Bids** 28.1 To assist in the examination, evaluation, and comparison of the bids, the Contracting Authority may, at its discretion, ask any Bidder for a clarification of its Bid. Any clarification submitted by a Bidder in respect to its Bid and that is not in response to a request by the Contracting Authority shall not be considered. The Contracting Authority's request for clarification and the response shall be in writing. No change in the prices or substance of the Bid shall be sought, offered, or permitted, except to confirm the correction of arithmetic errors discovered by the Contracting Authority in the evaluation of the bids, in accordance with ITB Clause 30.
- 29. Responsiveness of Bids** 29.1 The Contracting Authority's determination of a bid's responsiveness is to be based on the contents of the bid itself.
- 29.2 A substantially responsive Bid is one that conforms to all the terms, conditions, and specifications of the Bidding Documents without material deviation, reservation, or omission. A material deviation, reservation, or omission is one that:
- (a) affects in any substantial way the scope, quality, or performance of the Goods and Related Services specified in the Contract; or
 - (b) limits in any substantial way, inconsistent with the Bidding Documents, the Contracting Authority's rights or the Bidder's obligations under the Contract; or
 - (c) if rectified would unfairly affect the competitive position of other bidders presenting substantially responsive bids.
- 29.3 If a bid is not substantially responsive to the Bidding Documents, it shall be rejected by the Contracting Authority and may not subsequently be made responsive by the Bidder by correction of the material deviation, reservation, or omission.
- 30. Nonconformities, Errors, and Omissions** 30.1 Provided that a Bid is substantially responsive, the Contracting Authority may waive any non-conformities or omissions in the Bid that do not constitute a material deviation.
- 30.2 Provided that a bid is substantially responsive, the Contracting Authority may request that the Bidder submit the necessary information or documentation, within a reasonable period of time, to rectify nonmaterial nonconformities or omissions in the bid related to documentation requirements. Such omission shall not be related to any aspect of the price of the Bid. Failure of the Bidder to comply with the request may result in the rejection of its Bid.

30.3 Provided that the Bid is substantially responsive, the Contracting Authority shall correct arithmetical errors on the following basis:

- (a) if there is a discrepancy between the unit price and the line item total that is obtained by multiplying the unit price by the quantity, the unit price shall prevail and the line item total shall be corrected, unless in the opinion of the Contracting Authority there is an obvious misplacement of the decimal point in the unit price, in which case the line item total as quoted shall govern and the unit price shall be corrected;
- (b) if there is an error in a total corresponding to the addition or subtraction of subtotals, the subtotals shall prevail and the total shall be corrected; and
- (c) if there is a discrepancy between words and figures, the amount in words shall prevail, unless the amount expressed in words is related to an arithmetic error, in which case the amount in figures shall prevail subject to (a) and (b) above.

30.4 If the Bidder that submitted the lowest evaluated Bid does not accept the correction of errors, its Bid shall be rejected.

31. Preliminary Examination of

31.1 The Contracting Authority shall examine the bids to confirm that all documents and technical documentation requested in ITB Bids Clause 10 have been provided, and to determine the completeness of each document submitted.

31.2 The Contracting Authority shall confirm that the following documents and information have been provided in the Bid. If any of these documents or information is missing, the offer shall be rejected.

- (a) Bid Submission Form, in accordance with ITB Sub-Clause 11.1;
- (b) Technical Offer Form, in accordance with ITB Sub-Clause 11.2;
- (c) Price Schedules, in accordance with ITB Sub-Clause 11.3;
- (d) Bid Security, in accordance with ITB Clause 20, if applicable.

32. Examination of Terms and Conditions;

32.1 The Contracting Authority shall examine the Bid to confirm that all terms and conditions specified in the GCC and the SCC have

**Technical
Evaluation**

been accepted by the Bidder without any material deviation or reservation.

32.2 The Contracting Authority shall evaluate the technical aspects of the Bid submitted in accordance with ITB Clause 17, to confirm that all requirements specified in Section V, Schedule of Requirements of the Bidding Documents have been met without any material deviation or reservation.

32.3 If, after the examination of the terms and conditions and the technical evaluation, the Contracting Authority determines that the Bid is not substantially responsive in accordance with ITB Clause 29, it shall reject the Bid.

32.4 The Contracting Authority shall use the Administrative Compliance Grid and the Technical Compliance Grid in order to assess the qualification and evaluation criteria (see Section IV Bidding Forms).

**33. Evaluation of
Bids**

33.1 The Contracting Authority shall evaluate each bid that has been determined, up to this stage of the evaluation, to be substantially responsive.

33.2 To evaluate a Bid, the Contracting Authority shall only use all the factors, methodologies and criteria defined in this ITB. No other criteria or methodology shall be permitted.

33.3 To evaluate a Bid, the Contracting Authority shall consider the following:

(a) evaluation shall be done for Items or Lots, as **specified in the BDS**; and the Bid Price as quoted in accordance with clause 14;

(b) price adjustment for correction of arithmetic errors in accordance with ITB Sub-Clause 30.3;

(c) price adjustment due to discounts offered in accordance with ITB Sub-Clause 13.4; and

(d) adjustments due to the application of the evaluation criteria **specified in the BDS** from amongst those set out in Section III, Evaluation and Qualification Criteria.

33.4 The Evaluation of a bid shall exclude and not take into account:

(a) In the case of Goods manufactured in the Contracting Authority's Country, sales and other similar taxes, which

shall be payable on the goods if a contract is awarded to the Bidder;

- (b) in the case of Goods manufactured outside the Contracting Authority's Country, already imported or to be imported, customs duties and other import taxes levied on the imported Good, sales and other similar taxes, which shall be payable on the Goods if the contract is awarded to the Bidder;
- (c) any allowance for price adjustment during the period of execution of the contract, if provided in the bid.

33.5 The Contracting Authority's evaluation of a bid may require the consideration of other factors, in addition to the Bid Price quoted in accordance with ITB Clause 13. These factors may be related to the characteristics, performance, and terms and conditions of purchase of the Goods and Related Services. The effect of the factors selected, if any, shall be expressed in monetary terms to facilitate comparison of bids, unless otherwise specified in Section III, Evaluation and Qualification Criteria. The factors, methodologies and criteria to be used shall be as specified in ITB 33.3 (d).

33.6 If so **specified in the BDS**, these Bidding Documents shall allow Bidders to quote separate prices for one or more lots, and shall allow the Contracting Authority to award one or multiple lots to more than one Bidder. The methodology of evaluation to determine the lowest-evaluated lot combinations, is specified in Section III, Evaluation and Qualification Criteria.

34. Comparison of Bids

34.1 The Contracting Authority shall compare all substantially responsive bids to determine the lowest-evaluated bid, in accordance with ITB Clause 33.

35. Contracting Authority's Right to Accept Any Bid, and to Reject Any or All Bids

35.1 The Contracting Authority reserves the right to accept or reject any bid, and to annul the bidding process and reject all bids at any time prior to contract award, without thereby incurring any liability to Bidders.

F. Award of Contract

36. Award Criteria

36.1 The Contracting Authority shall award the Contract to the Bidder whose offer has been determined to be the lowest evaluated bid and is substantially responsive to the Bidding Documents, provided further that the Bidder is determined to be qualified to perform the Contract satisfactorily against the qualification

criteria specified in Section III, Evaluation and Qualification Criteria. .

37. Contracting Authority's Right to Vary Quantities at Time of Award

37.1 At the time the Contract is awarded, the Contracting Authority reserves the right to increase or decrease the quantity of Goods and Related Services originally specified in Section V, Schedule of Requirements, provided this does not exceed the percentages **specified in the BDS**, and without any change in the unit prices or other terms and conditions of the bid and the Bidding Documents.

38. Notification of Award

38.1 Prior to the expiration of the period of bid validity, the Contracting Authority shall notify the successful Bidder, in writing, that its Bid has been accepted. The award notice and/or its acceptance do not constitute a binding contract.

38.2 Until a formal Contract is prepared and executed, the notification of award shall constitute a binding Contract.

38.3 The Contracting Authority shall publish a Contract Award Notice the results of the evaluation and notify in writing both the successful and unsuccessful bidder. After publication of the Contract Award Notice, within maximum ten (10) working days unsuccessful bidders may appeal in writing to the Contracting Authority decision in accordance with the relevant clause of the Procurement Manual **specified in the BDS**.

38.4 In case of an appeal, the Contracting Authority may suspend the signature of the contract with the successful bidder until appeal procedures are completed and a final decision is taken by IGAD. All bidders shall be informed in writing about the suspension of the award of the contract and might be requested to extend the validity of their offers in accordance with ITB Clause 19.

38.5 Upon the successful Bidder's furnishing of the signed Contract Form and performance security pursuant to ITB Clause 40, the Contracting Authority shall promptly discharge the bid security of each unsuccessful Bidder, pursuant to ITB Clause 20.4.

39. Signing of Contract

- 39.1 Promptly after notification, the Contracting Authority shall send the successful Bidder the Agreement and the Special Conditions of Contract.
- 39.2 Within twenty-eight (28) days of receipt of the Agreement, the successful Bidder shall sign, date, and return it to the Contracting Authority.
- 39.3 Notwithstanding ITB 39.2 above, in case signing of the Contract Agreement is prevented by any export restrictions attributable to the Contracting Authority, to the country of the Contracting Authority, or to the use of the products/goods, systems or services to be supplied, where such export restrictions arise from trade regulations from a country supplying those products/goods, systems or services, the Bidder shall not be bound by its bid, always provided, however, that the Bidder can demonstrate to the satisfaction of the Contracting Authority and IGAD that signing of the Contract Agreement has not been prevented by any lack of diligence on the part of the Bidder in completing any formalities, including applying for permits, authorizations and licenses necessary for the export of the products/goods, systems or services under the terms of the Contract.

40. Performance Security

- 40.1 Within twenty eight (28) days of the receipt of notification of award from the Contracting Authority, the successful Bidder, if required, shall furnish the Performance Security in accordance with the GCC, using for that purpose the Performance Security Form included in Section VI Contract forms, or another Form acceptable to the Contracting Authority. The Contracting Authority shall promptly notify the name of the winning Bidder to each unsuccessful Bidder and discharge the Bid Securities of the unsuccessful bidders pursuant to ITB Sub-Clause 20.4.
- 40.2 Failure of the successful Bidder to submit the above-mentioned Performance Security or sign the Contract shall constitute sufficient grounds for the annulment of the award and forfeiture of the Bid Security. In that event the Contracting Authority may award the Contract to the next lowest evaluated Bidder, whose offer is substantially responsive and is determined by the Contracting Authority to be qualified to perform the Contract satisfactorily.

Section II. Bidding Data Sheet (BDS)

The following specific data for the goods to be procured shall complement, supplement, or amend the provisions in the Instructions to Bidders (ITB). Whenever there is a conflict, the provisions herein shall prevail over those in ITB.

[Instructions for completing the Bid Data Sheet are provided, as needed, in the notes in italics mentioned for the relevant ITB Clauses.]

ITB Clause Reference	A. General
ITB 1.1	The Contracting Authority is: <i>The Intergovernmental Authority on Development (IGAD) Centre for Pastoral Areas and Livestock Development</i>
ITB 1.1	The name and identification number of the Contract is: Supply of apiary and its Accessories– Akendeyu, Kurmuk Woreda, Benishangul-Gumuz Region
ITB 1.2	The procurement method is: Open National Competitive Bidding -ONCB The Procurement Regulations applicable are: IGAD Procurement Manual 2021 The procurement Manual edition is : www.igad.int
ITB 1.3	Bidders <i>are</i> allowed to bid for all lots or for combinations of lots. The following restrictions shall apply: <i>“None”</i>
ITB 3.3	<i>In case of Open procedure: the procedure is Open to all potential suppliers except those under ITB 5.1 and 20.2. b.</i>
ITB 3.5	A list of firms debarred from participating in IGAD financed projects is available at: <i>Not Applicable</i>
ITB 5.1	Goods and related services originating from the following countries are not eligible for IGAD financed contracts: <i>Not Applicable</i>

	B. Contents of Bidding Documents
ITB 6.1	<p>For <u>Clarification of Bid purposes</u> only, the Purchaser's address is: <i>[For Clarification of Bid purposes only, the Employer's address is:</i> <u>Beverlyne.nyanchera@igad.int cc to icpald@igad.int</u></p> <p>Requests for clarification should be received by the Purchaser, no later than ten days (10) days from the date of publication of bidding document.</p> <p>documents Web page: <u>http://www.igad.int</u></p>
	C. Preparation of Bids
ITB 9	<p>The language of the Bid is: English.</p> <p>All correspondence exchange shall be in English language.</p>
ITB 10.1 (h)	<p>The Bidder shall submit the following documents in its Bid:</p> <p>The Bidder must provide the following Documentary Evidence to establish the conformity of the Technical Proposal with the Bidding Document:</p> <ul style="list-style-type: none"> (a) Letter of Bid. (b) Completed Schedules as provided in Section IV, Bidding Forms. (c) Bid Security, in accordance with ITB 19. (d) written confirmation authorizing the signatory of the Bid to commit the Bidder, in accordance with ITB 20.2. (e) documentary evidence as specified in the BDS, establishing the conformity of the goods/work and related services offered by the Bidder with the Bidding Document, using the relevant forms furnished in Section (g)documentary evidence establishing the Bidder's qualifications in accordance with the requirements of Section III, Evaluation and Qualification Criteria, using the relevant forms furnished in Section IV, Bidding Forms. (f)documentary evidence as specified in the BDS, establishing the conformity of the Technical Proposal offered by the Bidder with the Bidding Document, using the relevant forms furnished in Section IV, Bidding Forms.

	<p>(g) in the case of a bid submitted by a JVCA, JVCA agreement, or letter of intent to enter a JVCA including a draft agreement, indicating at least the parts of the Requirements to be executed by the respective partners.</p> <p>(h) Valid Registration/ establishment certificates.</p> <p>(i) VAT Registration number.</p> <p>(j) Company profile regarding actual business activities.</p> <p>(k) Physical location, postal addresses-mail addresses, telephone, contact person.</p> <p>(l) Any other related document.</p>
ITB 12.1	Alternative Bids <i>“shall not be”</i> considered.
ITB 13.5	<p>The Incoterms edition is: <i>The version of 2010.</i></p> <p>The Incoterm for quoting goods offered from within the Purchaser’s country is: EXW. (EXW price shall include all duties, sales, and other taxes already paid or payable for the components and raw materials used in the manufacture or assembly of the equipment or spare parts offered in the bid).</p> <p>The Incoterm for quoting goods offered from outside the Purchaser’s country is CIP (Cost Insurance to the Place of destination)</p>
ITB 13.6 (b) (i) and (c) (iii)	Place of Destination: Akendeyu, Kurmuk Woreda, Benishangul-Gumuz Region
ITB 13.6 (a) (iii);(b)(ii) and (c)(v)	“Final destination (Project Site)”: Akendeyu, Kurmuk Woreda, Benishangul-Gumuz Region
ITB 13.6 (b) (iii)	<p>In addition to the CIP price specified in ITB 14.6 (b) (i), the price of the Goods manufactured outside the Contracting Authority’s Country shall be quoted: The Incoterm for quoting goods offered from within the Purchaser’s country is:</p> <p>EXW. (EXW price shall include all duties, sales, and other taxes already paid or payable for the components and raw materials used in the manufacture or assembly of the equipment or spare parts offered in the bid).</p>
ITB 13.7	The prices quoted by the Bidder <i>“shall not”</i> be adjustable. If prices shall be adjustable, the methodology is specified in Section III Evaluation and Qualification Criteria.
ITB 15.1	<p><i>The Bidder shall submit the following additional documents in its Bid:</i></p> <p><i>The Bidder must provide the following Documentary Evidence to establish the conformity of the Technical Proposal with the Bidding Document:</i></p> <p>(a) <i>Letter of Bid.</i></p> <p>(b) <i>Completed Schedules as provided in Section IV, Bidding Forms.</i></p>

	<p>(c) <i>Bid Security, in accordance with ITB 19.</i></p> <p>(d) <i>written confirmation authorizing the signatory of the Bid to commit the Bidder, in accordance with ITB 20.2.</i></p> <p>(e) <i>documentary evidence as specified in the BDS, establishing the conformity of the goods/work and related services offered by the Bidder with the Bidding Document, using the relevant forms furnished in Section (g)documentary evidence establishing the Bidder’s qualifications in accordance with the requirements of Section III, Evaluation and Qualification Criteria, using the relevant forms furnished in Section IV, Bidding Forms.</i></p> <p>(f)<i>documentary evidence as specified in the BDS, establishing the conformity of the Technical Proposal offered by the Bidder with the Bidding Document, using the relevant forms furnished in Section IV, Bidding Forms.</i></p> <p>(g) <i>in the case of a bid submitted by a JVCA, JVCA agreement, or letter of intent to enter a JVCA including a draft agreement, indicating at least the parts of the Requirements to be executed by the respective partners.</i></p> <p>(h) <i>Valid Registration/ establishment certificates.</i></p> <p>(i) <i>VAT Registration number.</i></p> <p>(j) <i>Company profile regarding actual business activities.</i></p> <p>(k) <i>Physical location, postal addresses-mail addresses, telephone, contact person.</i></p> <p>(l) <i>Any other related document.</i></p>
ITB 17.3	Period of time the Goods are expected to be functioning (for the purpose of spare parts): <i>1 year</i>
ITB 18.1 (a)	Manufacturer’s authorization is: <i>“required”</i>
ITB 18.1 (b)	After sales service is: <i>“ required”</i>
ITB 19.1	The bid validity period shall be <i>90</i> days after deadline of offer submission.
ITB 20.1	Bid shall include a Bid Security 10% of the total offer (issued by bank) in the form specified in Section IVBidding Forms.
ITB 20.2	For all Lots; The Bidder shall furnish Bank Guarantee , Valid for 120 days.

ITB 20.2 (b)	The eligible countries are: <i>As per ITB clause 3</i>
ITB 20.7	If the Bidder incurs any of the actions prescribed in subparagraphs (a) or (b) of this provision, the Contracting Authority shall declare the Bidder ineligible to be awarded contracts by IGAD for a period of three (3) years.
ITB 21.1	In addition to the original of the bid, the number of copies is: one (1) copy
D. Submission and Opening of Bids	
ITB 22.1	Bidders <i>shall submit</i> their bids electronically.
ITB 22.1 (b)	If bidders shall have the option of submitting their bids electronically, the electronic bidding submission procedures shall be: <i>Not Applicable</i>
ITB 22.2 (c)	The emails shall bear the following additional identification marks: <i>Supply of Apiary and its Accessories – Akendeyu, Kurmuk Woreda/Benishangul-Gumuz Region in Ethiopia- IGAD -OCBN/G/03/2024</i>
ITB 23.1	For bid submission purposes, the Contracting Authority’s address is: icpald@igad.int and cc beverlyne.nyanchera@igad.int Attention: Dereje Wakjira (PhD) Director , ICPALD Email: icpald@igad.int The deadline for the submission of bids is: Date: 23RD August 2024

	Time: 4:30 pm EAT
ITB 26.1	If electronic bid submission is permitted in accordance with ITB sub-clause 23.1, the specific bid opening procedures shall be: <i>N/A</i>
	E. Evaluation and Comparison of Bids
ITB 33.3(a)	Evaluation shall be done for Bids shall be evaluated for each item and the Contract shall comprise the item(s) awarded to the successful Bidder.
ITB 33.3(d)	<p>The adjustments shall be determined using the following criteria, from amongst those set out in Section III, Evaluation and Qualification Criteria:</p> <p>Deviation in Delivery schedule: <i>No.</i></p> <p>(a) Deviation in payment schedule: <i>No.</i></p> <p>(b) the cost of major replacement components, mandatory spare parts, and service: <i>No.</i></p> <p>(c) the availability in the Contracting Authority’s Country of spare parts and after-sales services for the equipment offered in the bid : <i>No.</i></p> <p>(d) the projected operating and maintenance costs during the life of the equipment : <i>No.</i></p> <p>(e) the performance and productivity of the equipment offered, <i>No.</i></p>
ITB 33.6	The Contracting Authority <i>shall not</i> grant Regional Preference for the purpose of the evaluation of this Contract.
ITB 33.7	Bidders <i>“shall not”</i> be allowed to quote separate prices for one or more lots. [<i>refer to Section III Evaluation and Qualification Criteria, for the evaluation methodology, if appropriate</i>]
	F. Award of Contract

ITB 37.1	The maximum percentage by which quantities may be increased is: 20 % . The maximum percentage by which quantities may be decreased is: 20 % .
ITB 38.3	IGAD Procurement Manual 2021 .

Section III. Award, Evaluation and Qualification/Selection Criteria

This Section complements the Instructions to Bidders. It contains the criteria that the Contracting Authority may use to evaluate a bid and determine whether a Bidder has the required qualifications. No other criteria shall be used.

[The Contracting Authority shall select the criteria deemed appropriate for the procurement process, insert the appropriate wording using the samples below or other acceptable wording, and delete the text in italics]

Contents

1. Evaluation Criteria (ITB 33.3 (d))
2. Multiple Contracts (ITB 33.6)
3. Qualification Criteria (ITB 36)

1. Evaluation Criteria (ITB 33.3 (d))

The Contracting Authority's evaluation of a bid may take into account, in addition to the Bid Price (**award criteria**) quoted in accordance with ITB Clause 13.6, one or more of the following factors as specified in ITB Sub-Clause 33.3(d) and in BDS referring to ITB 33.3(d), using the following criteria and methodologies.

- (a) Delivery schedule. (As per Incoterms specified in the BDS)

The Goods specified in the List of Goods are required to be delivered within the acceptable time range (after the earliest and before the final date, both dates inclusive) specified in Section VII, Schedule of Requirements. No credit will be given to deliveries before the earliest date, and Bids offering delivery after the final date shall be treated as nonresponsive. Within this acceptable period, an adjustment of [insert the adjustment factor], will be added, for evaluation purposes only, to the Bid price of Bids offering deliveries later than the "Earliest Delivery Date" specified in Section VII, Schedule of Requirements.

[An adjustment factor of 0.5% per week of delay would be reasonable. However, the adjustment factor should not be more than the rate of Liquidated Damages to be applied in case of delay in delivery of Goods and Services under the Contract conditions.]

- (b) Deviation in payment schedule.

(i) Bidders shall state their Bid price for the payment schedule outlined in the Special Conditions of Contract (SCC). Bids shall be evaluated on the basis of this base price. Bidders are, however, permitted to state an alternative payment schedule and indicate the reduction in Bid price they wish to offer for such alternative payment schedule. The Purchaser may consider the alternative payment schedule and the reduced Bid price offered by the Bidder selected on the basis of the base price for the payment schedule outlined in the SCC.

- (c) Cost of major replacement components, mandatory spare parts, and service.

(i) The list of mandatory items and quantities of major assemblies, components, and selected spare parts, likely to be required during the initial period of operation specified in the BDS 16.4, is in the List of Goods. An adjustment equal to the total cost of these items, at the unit prices quoted in each Bid, shall be added to the Bid price, for evaluation purposes.

- (d) Availability in the Purchaser's Country of spare parts and after sales services for equipment offered in the Bid.

An adjustment equal to the cost to the Purchaser of establishing the minimum service facilities and parts inventories if quoted separately, shall be added to the Bid price, for evaluation purposes only.

- (e) Life Cycle Costs (LCC)

If specified in BDS 35.6, an adjustment to take into account the additional life cycle costs for the period specified below, such as the operating and maintenance costs of the Goods, will be added to the Bid price, for evaluation purposes only. The adjustment will be evaluated in accordance with the methodology specified below and the following information:

2. Multiple Contracts (ITB 33.7)

The Contracting Authority shall award multiple contracts to the Bidder that offers the lowest evaluated combination of bids (one contract per bid)

The Contracting Authority shall:

- (a) evaluate only lots or contracts that include at least the percentages of items per lot and quantity per item as specified in ITB Sub Clause 13.8
- (b) take into account:
 - (i) the lowest-evaluated bid for each lot and
 - (ii) the price reduction per lot and the methodology for its application as offered by the Bidder in its bid”

4. Selection/Qualification Criteria (ITB 36)

In case the bidding documents require the bidders to provide with statements and evidence to show technical, financial and professional capacity.

No.	Subject	Requirement	Compliance with the requirement		Source of information	Supporting document
			Single Entity	Joint Venture or Consortium		
2.1	Experience in implementing similar contracts.	a) Experience as Contractor, in at least <i>[Three]</i> contracts within the last <i>Five (5)</i> years, each with a value of at least <i>150,000 USD</i> that have been successfully and substantially completed and that are similar to the proposed works. The similarity shall be based on the physical size, complexity, methods/technology or other characteristics as described in Section V	Must meet the requirement	All members together must meet the requirement	Capacity Form	Requested attachments to Capacity Form
		b) At least <i>[insert the percentage]</i> of the	Must meet the requirement	All members together must	Capacity Form	Requested attachments to

No.	Subject	Requirement	Compliance with the requirement		Source of information	Supporting document
			Single Entity	Joint Venture or Consortium		
		Applicant's activity shall be in the flowing area of specialization <i>[insert the areas of specialization]</i>		meet the requirement <i>[And/Or Each member shall meet at least [insert percentage] of each the requirement (delete if not applicable)]</i>		Capacity Form
2.2	Financial Resources	i) Minimum average annual turnover of US\$ <i>[insert amount in US\$ equivalent in words and figures]</i> , calculated as total certified payments received for contracts in progress or completed, within the last <i>[insert number]</i> years, <i>[insert number in words]</i> years	Must meet the requirement	All members together must meet the requirement The leader of the JV or Consortia alone must meet at least <i>[insert the number]</i> percentage of the requirement	Capacity Form	Requested attachments to Capacity Form
		ii) Access to a dedicated credit line or overdraft facility of US\$ <i>[insert amount in US\$ equivalent in words and figures]</i>	Must meet the requirement	The leader of the consortia must meet the requirement alone	Capacity Form	Requested attachments to Capacity Form
		iii) Minimum average annual operational profit of US\$ <i>[insert amount in US\$ equivalent in words and figures]</i> , calculated as total operational revenues minus total operational expenses, within the last <i>[insert number in words]</i> years	Must meet the requirement	All members together must meet the requirement The leader of the joint venture or Consortium alone must meet at least <i>[insert the number]</i> percentage of the requirement	Capacity Form	Requested attachments to Capacity Form
		iv) Minimum average annual Net Worth of US\$ <i>[insert amount in US\$ equivalent in words and figures]</i> ,	Must meet requirement	All members together must meet the requirement	Capacity Form	Requested attachments to Capacity Form

No.	Subject	Requirement	Compliance with the requirement		Source of information	Supporting document
			Single Entity	Joint Venture or Consortium		
		calculated as Total Assets minus Total Liabilities, within the last <i>[insert number in words]</i> years		The leader of the joint venture or Consortia alone must meet at least <i>[insert the number]</i> percentage of the requirement		
2.3	Personnel Resources:	a) Access to minimum <i>[insert number in words]</i> experts specialized in the following areas <i>[list areas]</i>	Must meet the requirement	All members together must meet the requirement	Capacity Form	Requested attachments to Capacity Form
		b) Availability of experts with the following specialization: <i>Expert 1: [describe specialization]</i> <i>Expert 2: [describe specialization]</i> <i>Expert 3: [describe specialization]</i>	Must meet the requirement	All members together must meet the requirement	Capacity Form	Requested attachments to Capacity Form
2.4	Facilities Resources <i>[delete the row if not applicable]</i>	Access to the following facilities <i>[list the facilities or equipment to which the Applicant must have access during the implementation of the contract]</i>	Must meet the requirement	All members together must meet the requirement	Capacity Form	Requested attachments to Capacity Form

4. Administrative and technical compliance grids.

The administrative grids are part of section IV (Bidding Forms). They shall be filled/used by the Tender Committee and are part of Bidding Documents. The Bidders do not need to complete them.

Section IV. Bidding Forms

Table of Forms

Bid Submission Form.....	2
Technical Offer Form	4
Price Schedule: Goods Manufactured Outside the Contracting Authority’s Country, to be Imported	10
Price Schedule: Goods Manufactured Outside the Contracting Authority’s Country, already imported	11
Price Schedule: Goods Manufactured in the Contracting Authority’s Country	12
Price and Completion Schedule - Related Services.....	13
Bid Security (Bank Guarantee).....	14
Manufacturer’s Authorization.....	15

Bid Submission Form

[The Bidder shall fill in this Form in accordance with the instructions indicated No alterations to its format shall be permitted and no substitutions shall be accepted.]

Date: *[insert date (as day, month and year) of Bid Submission]*

Contract No.: *[insert number of bidding process]*

Invitation for Prequalification No.: *[insert No if the case]*

Alternative No.: *[insert identification No if this is a Bid for an alternative]*

To: *[insert complete name of Contracting Authority]*

We, the undersigned, declare that:

- (a) We have examined and have no reservations to the Bidding Documents, including Addenda No.: _____ *[insert the number and issuing date of each Addenda];*
- (b) We offer to supply in conformity with the Bidding Documents and in accordance with the Delivery Schedules specified in the Schedule of Requirements the following Goods and Related Services _____ *[insert a brief description of the Goods and Related Services];*
- (c) The total price of our Bid, excluding any discounts offered in item (d) below, is: _____ *[insert the total bid price in words and figures, indicating the various amounts and the respective currencies];*
- (d) The discounts offered and the methodology for their application are:

Discounts. If our bid is accepted, the following discounts shall apply. _____ *[Specify in detail each discount offered and the specific item of the Schedule of Requirements to which it applies.]*

Methodology of Application of the Discounts. The discounts shall be applied using the following method: _____ *[Specify in detail the method that shall be used to apply the discounts];*

- (e) Our bid shall be valid for the period of time specified in ITB Sub-Clause 19.1, from the date fixed for the bid submission deadline in accordance with ITB Sub-Clause 23.1, and it shall remain binding upon us and may be accepted at any time before the expiration of that period;
- (f) If our bid is accepted, we commit to obtain a performance security in accordance with ITB Clause 40 and GCC Clause 17 for the due performance of the Contract;
- (g) We, including any subcontractors or suppliers for any part of the contract, have nationality from eligible countries _____ *[insert the nationality of the Bidder, including that of all parties that comprise the Bidder, if the Bidder is a JV, and the nationality each subcontractor and supplier]*
- (h) We have no conflict of interest in accordance with ITB Sub-Clause 3.2;

- (i) Our firm, its affiliates or subsidiaries—including any subcontractors or suppliers for any part of the contract—has not been declared ineligible by IGAD, under the Contracting Authority’s country laws or official regulations, in accordance with ITB Sub-Clause 3.3;
- (j) Our firm, its affiliates or subsidiaries—including any subcontractors or suppliers for any part of the contract—are not falling under any of the exclusion criteria stated in ITB Sub-Clause 3.4;
- (k) The following commissions, gratuities, or fees have been paid or are to be paid with respect to the bidding process or execution of the Contract: *[insert complete name of each Recipient, its full address, the reason for which each commission or gratuity was paid and the amount and currency of each such commission or gratuity]*

Name of Recipient	Address	Reason	Amount
_____	_____	_____	_____
_____	_____	_____	_____

(If none has been paid or is to be paid, indicate “none.”)

- (l) We understand that this bid, together with your written acceptance thereof included in your notification of award, shall constitute a binding contract between us, until a formal contract is prepared and executed.
- (m) We understand that you are not bound to accept the lowest evaluated bid or any other bid that you may receive.

Signed: _____ *[insert signature of person whose name and capacity are shown]*
 In the capacity of _____ *[insert legal capacity of person signing the Bid Submission Form]*

Name: _____ *[insert complete name of person signing the Bid Submission Form]*

Duly authorized to sign the bid for and on behalf of: _____ *[insert complete name of Bidder]*

Dated on _____ day of _____, _____ *[insert date of signing]*

STATEMENT ON TECHNICAL CAPACITY, FINANCIAL CAPACITY AND PROFESSIONAL CAPACITY (to be customized)

1. Financial Capacity.

Please complete the following table of financial data⁶ based on your annual accounts and your latest projections. If annual closed accounts are not yet available for the current year or past year, please provide your latest estimates in the columns marked with *. Figures in all columns shall be calculated on the same basis to allow a direct, year-on-year comparison to be made (or, if the basis has changed, an explanation of the change must be provided as a footnote to the table). Any clarification or explanation which is judged necessary may also be provided.

Financial data Data requested in this table must be consistent with the selection criteria set in the Bidding Documents	2 years before last year⁷ (specify) USD	Year before last year (specify) USD	Last year (specify) USD	Average⁸ USD	[Past year USD]*	[Current year USD]*
Annual turnover ⁹ , excluding this contract						
Annual turnover ¹⁰ , excluding this contract						
Current assets ¹¹						
Current liabilities ¹²						
[Current ratio (current assets/current liabilities)]	Not applicable	Not applicable		Not applicable	Not applicable	Not applicable

⁶ If this application is submitted by a consortium or joint venture, the data in the table above must be the sum of the data in the corresponding tables in the declarations provided by the consortium members. Consolidated data are not requested for financial ratios.

⁷ Last year=last accounting year for which the bidder's accounts have been closed.

⁸ Amounts entered in the 'Average' column must be the mathematical average of the amounts entered in the three preceding columns of the same row.

⁹ The gross inflow of economic benefits (cash, receivables, other assets) arising from the ordinary operating activities of the enterprise (such as sales of goods, sales of services, interest, royalties, and dividends) during the year.

¹⁰ The gross inflow of economic benefits (cash, receivables, other assets) arising from the ordinary operating activities of the enterprise (such as sales of goods, sales of services, interest, royalties, and dividends) during the year.

¹¹ A balance sheet account that represents the value of all assets that are reasonably expected to be converted into cash within one year in the normal course of business. Current assets include cash, accounts receivable, inventory, marketable securities, prepaid expenses and other liquid assets that can be readily converted to cash.

¹² A company's debts or obligations that are due within one year. Current liabilities appear on the company's balance sheet and include short term debt, accounts payable, accrued liabilities and other debts.

2. Professional capacity.

Please provide the following personnel data for the current year and the two previous years¹³.

Annual manpower	Year before past year		Past year		Current year		Period average	
	Overall	Relevant fields ¹⁴	Overall	Relevant fields ¹¹	Overall	Relevant fields ¹¹	Overall	Relevant fields ¹¹
Permanent staff ¹⁵								
Other staff ¹⁶								
Total								
Permanent staff as a proportion of total staff (%)	%	%	%	%	%	%	%	%

¹³ If this bid is submitted by a consortium or joint venture, the data in the table above must be the sum of the data in the corresponding tables in the declarations provided by the consortium members. Consolidated data are not requested for financial ratios.

¹⁴ Corresponding to the relevant specialisms identified in point 3 below.

¹⁵ Staff directly employed by the bidder on a permanent basis (i.e. under indefinite contracts).

¹⁶ Other staff not directly employed by the bidder on a permanent basis (i.e. under fixed-term contracts).

3. Fields of specializations.

Please use the table below to indicate the **specialisms relevant to this contract** of each legal entity making this bid, by using the names of these specialisms as the row headings and the name of the legal entity as the column headings. Show the relevant specialism(s) of each legal entity by placing a tick (✓) in the box corresponding to those specialisms in which the legal entity has significant experience. [**Maximum 10 specialisms**]

	Leading partner	Member 2	Member 3	Member 4
Relevant specialism 1				
Relevant specialism 2				
Etc.... ¹⁷				

¹⁷ add/delete additional lines and/or rows as appropriate. If this bid is being submitted by an individual bidder, the name of the bidder should be entered as 'Leading partner (and all other columns should be deleted).

4. Experience in implementing similar contracts.

Please complete a table using the format below to summarize the **major relevant supplies** carried out over the past 3 years¹⁸ by the bidder or bidders making this bid. The number of references to be provided must not exceed 5 for the entire bid

Ref number	Project title		...					
Name of bidder	Country	Overall supply value (USD)¹⁹	Proportion supplied by bidder (%)	No of staff provided	Name of client	Origin of funding	Dates	Name of members if any
...
Detailed description of supply						Related services provided		
...						...		

I hereby declare that the information contained in this form is accurate.

Signed: _____ *[insert signature of person whose name and capacity are shown]*
 In the capacity of _____ *[insert legal capacity of person signing the Bid Submission Form]*

Name: _____ *[insert complete name of person signing the Bid Submission Form]*

Duly authorized to sign the bid for and on behalf of: _____ *[insert complete name of Bidder]*

Dated on _____ day of _____, _____ *[insert date of signing]*

¹⁸ In the case of framework contracts (without contractual value), only specific contracts corresponding to assignments implemented under such framework contracts shall be considered.

¹⁹ Amounts actually paid, without the effect of inflation.

Technical Offer Form

Price Schedule Forms

*[The Bidder shall fill in these Price Schedule Forms in accordance with the instructions indicated. The list of line items in column 1 of the **Price Schedules** shall coincide with the Technical Specification Form specified by the Contracting Authority in the Bidding Forms]*

Price Schedule: Goods Manufactured Outside the Contracting Authority’s Country, to be Imported

(Group C bids, goods to be imported)							Date: _____	
							Contract No: _____	
							Page N° _____ of _____	
In US Dollars								
1	2	3	4	5	6	7	8	9
Line Item N°	Description of Goods	Country of Origin	Delivery Date as defined by Incoterms	Quantity and physical unit	Unit price CIP <i>[insert place of destination]</i> in accordance with ITB 13.6(b)(i)	CIP Price per line item (Col. 5x6)	Price per line item for inland transportation and other services required in the Contracting Authority’s country to convey the Goods to their final destination specified in BDS	Total Price per Line item (Col. 7+8)
<i>[insert number of the item]</i>	<i>[insert name of good]</i>	<i>[insert country of origin of the Good]</i>	<i>[insert quoted Delivery Date]</i>	<i>[insert number of units to be supplied and name of the physical unit]</i>	<i>[insert unit price CIP per unit]</i>	<i>[insert total CIP price per line item]</i>	<i>[insert the corresponding price per line item]</i>	<i>[insert total price of the line item]</i>
							Total Price	

Name of Bidder *[insert complete name of Bidder]* Signature of Bidder *[signature of person signing the Bid]* Date *[Insert Date]*

Price Schedule: Goods Manufactured Outside the Contracting Authority's Country, already imported

(Group C bids, Goods already imported)										Date: _____	
In US Dollars										Contract No: _____	
In US Dollars										Page N° _____ of _____	
1	2	3	4	5	6	7	8	9	10	11	12
Line Item N°	Description of Goods	Country of Origin	Delivery Date as defined by Incoterms	Quantity and physical unit	Unit price including Custom Duties and Import Taxes paid, in accordance with ITB 13.6(c)(i)	Custom Duties and Import Taxes paid per unit in accordance with ITB 13.6(c)(ii) , [to be supported by documents]	Unit Price net of custom duties and import taxes, in accordance with ITB 13.6 (c) (iii) (Col. 6 minus Col.7)	Price per line item net of Custom Duties and Import Taxes paid, in accordance with ITB 13.6(c)(i) (Col. 5×8)	Price per line item for inland transportation and other services required in the Contracting Authority's country to convey the goods to their final destination, as specified in BDS in accordance with ITB 13.6 (c)(v)	Sales and other taxes paid or payable per item if Contract is awarded (in accordance with ITB 13.6(c)(iv)	Total Price per line item (Col. 9+10)
<i>[insert number of the item]</i>	<i>[insert name of Goods]</i>	<i>[insert country of origin of the Good]</i>	<i>[insert quoted Delivery Date]</i>	<i>[insert number of units to be supplied and name of the physical unit]</i>	<i>[insert unit price per unit]</i>	<i>[insert custom duties and taxes paid per unit]</i>	<i>[insert unit price net of custom duties and import taxes]</i>	<i>[insert price per line item net of custom duties and import taxes]</i>	<i>[insert price per line item for inland transportation and other services required in the Contracting Authority's country]</i>	<i>[insert sales and other taxes payable per item if Contract is awarded]</i>	<i>[insert total price per line item]</i>
Total Bid Price											

Name of Bidder *[insert complete name of Bidder]* Signature of Bidder *[signature of person signing the Bid]* Date *[insert date]*

Price Schedule: Goods Manufactured in the Contracting Authority's Country

Contracting Authority's Country _____		(Group A and B bids)				Date: _____ Contract No: _____ Page N° _____ of _____			
In US Dollars									
1	2	3	4	5	6	7	8	9	10
Line Item N°	Description of Goods	Delivery Date as defined by Incoterms	Quantity and physical unit	Unit price EXW	Total EXW price per line item (Col. 4×5)	Price per line item for inland transportation and other services required in the Contracting Authority's Country to convey the Goods to their final destination	Cost of local labor, raw materials and components from with origin in the Contracting Authority's Country % of Col. 5	Sales and other taxes payable per line item if Contract is awarded (in accordance with ITB 13.6(a)(ii))	Total Price per line item (Col. 6+7)
<i>[insert number of the item]</i>	<i>[insert name of Good]</i>	<i>[insert quoted Delivery Date]</i>	<i>[insert number of units to be supplied and name of the physical unit]</i>	<i>[insert EXW unit price]</i>	<i>[insert total EXW price per line item]</i>	<i>[insert the corresponding price per line item]</i>	<i>[Insert cost of local labor, raw material and components from within the Purchase's country as a % of the EXW price per line item]</i>	<i>[insert sales and other taxes payable per line item if Contract is awarded]</i>	<i>[insert total price per item]</i>
Total Price									

Name of Bidder *[insert complete name of Bidder]* Signature of Bidder *[signature of person signing the Bid]* Date *[insert date]*

Price and Completion Schedule - Related Services

In US Dollars						Date: _____
						Contract No: _____
						Page N° _____ of _____
1	2	3	4	5	6	7
Service N°	Description of Services (excludes inland transportation and other services required in the Contracting Authority's country to convey the goods to their final destination)	Country of Origin	Delivery Date at place of Final destination	Quantity and physical unit	Unit price	Total Price per Service (Col. 5*6 or estimate)
<i>[insert number of the Service]</i>	<i>[insert name of Services]</i>	<i>[insert country of origin of the Services]</i>	<i>[insert delivery date at place of final destination per Service]</i>	<i>[insert number of units to be supplied and name of the physical unit]</i>	<i>[insert unit price per item]</i>	<i>[insert total price per item]</i>
Total Bid Price						

Name of Bidder *[insert complete name of Bidder]* Signature of Bidder *[signature of person signing the Bid]* Date *[insert date]*

Bid Security (Bank Guarantee)

[The Bank shall fill in this Bank Guarantee Form in accordance with the instructions indicated.]

[Bank's Name, and Address of Issuing Branch or Office]

Beneficiary: _____ *[Name and Address of Contracting Authority]*

Date: _____

BID GUARANTEE No.: _____

We have been informed that *[name of the Bidder]* (hereinafter called "the Bidder") has submitted to you its bid dated (hereinafter called "the Bid") for the execution of *[name of contract]* under Contract No. *[insert number]* ("the Contract").

Furthermore, we understand that, according to your conditions, bids must be supported by a bid guarantee.

At the request of the Bidder, we *[name of Bank]* hereby irrevocably undertake to pay you any sum or sums not exceeding in total an amount of *[amount in figures] ([amount in words])* upon receipt by us of your first demand in writing accompanied by a written statement stating that the Bidder is in breach of its obligation(s) under the bid conditions, because the Bidder:

- (a) has withdrawn its Bid during the period of bid validity specified by the Bidder in the Form of Bid; or
- (b) having been notified of the acceptance of its Bid by the Contracting Authority during the period of bid validity, (i) fails or refuses to execute the Contract Form; or (ii) fails or refuses to furnish the performance security, if required, in accordance with the Instructions to Bidders.

This guarantee shall expire: (a) if the Bidder is the successful bidder, upon our receipt of copies of the contract signed by the Bidder and the performance security issued to you upon the instruction of the Bidder; or (b) if the Bidder is not the successful bidder, upon the earlier of (i) our receipt of a copy of your notification to the Bidder of the name of the successful bidder; or (ii) twenty-eight days after the expiration of the Bidder's Bid.

Consequently, any demand for payment under this guarantee must be received by us at the office on or before that date.

This guarantee is subject to the Uniform Rules for Demand Guarantees, ICC Publication No. 458.

_____ *[signature(s)]*

Manufacturer's Authorization

*[The Bidder shall require the Manufacturer to fill in this Form in accordance with the instructions indicated. This letter of authorization should be on the letterhead of the Manufacturer and should be signed by a person with the proper authority to sign documents that are binding on the Manufacturer. The Bidder shall include it in its bid, if so indicated in the **BDS**.]*

Date: *[insert date (as day, month and year) of Bid Submission]*
Contract No.: *[insert number]*

To: *[insert complete name of Contracting Authority]*

WHEREAS

We *[insert complete name of Manufacturer]*, who are official manufacturers of *[insert type of goods manufactured]*, having factories at *[insert full address of Manufacturer's factories]*, do hereby authorize *[insert complete name of Bidder]* to submit a bid the purpose of which is to provide the following Goods, manufactured by us *[insert name and or brief description of the Goods]*, and to subsequently negotiate and sign the Contract.

We hereby extend our full guarantee and warranty in accordance with Clause 26 of the General Conditions of Contract, with respect to the Goods offered by the above firm.

Signed: *[insert signature(s) of authorized representative(s) of the Manufacturer]*

Name: *[insert complete name(s) of authorized representative(s) of the Manufacturer]*

Title: *[insert title]*

Dated on _____ day of _____, _____ *[insert date of signing]*

ADMINISTRATIVE COMPLIANCE FORM FOR GOODS

To be tailored to the specific project.

Contract title :		Publication reference :	
-------------------------	--	--------------------------------	--

Envelope number	Name of Bidder	Is Bidder's (consortium) nationality ²⁰ eligible? (Y/N)	Is documentation complete? (Y/N)	Is language as required? (Y/N)	Is Bid submission form complete? (Y/N)	Is Bidder's declaration signed (by all consortium members if a consortium)? (Yes/No/Not Applicable)	Other administrative requirements of the bidding documents? (Yes/No/Not applicable)	Overall decision? (Accept / Reject)
1								
2								
3								
4								
5								
6								
7								

Secretary's name	
Secretary's signature	
Date	

EVALUATION GRID FOR GOODS

To be tailored to the specific project. Must be completed by the Tender Committee.

Contract title :		Publication reference :	
-------------------------	--	--------------------------------	--

Envelope No	Name of Bidder	Rules of origin respected ? (Y/N)	Economic & financial capacity? (OK/a/b/...)	Professional capacity? (OK/a/b/...)	Technical capacity? (OK/a/b/...)	Compliance with technical specifications? (OK/a/b/...)	Ancillary services as required? (OK/a/b/.../NA)	Subcontracting statement in accordance with the General Conditions? (Y/N)	Other technical requirements in Bidding Documents ? (Yes/No/Not applicable)	Technically compliant? (Y/N)	Justification/ notes:
1											
2											
3											
4											

Evaluator's name & signature (Chairperson)	
Secretary's name & signature	
Evaluator's name & signature	
Evaluator's name & signature	
Date	

PART 2 – Supply Requirements

Section V. Schedule of Requirements

Contents

1. List of Goods and Delivery Schedule	21
2. List of Related Services and Completion Schedule.....	38
3. Technical Specifications	39
4. Drawings	41
5. Inspections and Tests	42

Notes for Preparing the Schedule of Requirements

The Schedule of Requirements shall be included in the bidding documents by the Contracting Authority, and shall cover, at a minimum, a description of the goods and ancillary services to be supplied and the delivery schedule.

The objective of the Schedule of Requirements is to provide sufficient information to enable bidders to prepare their bids efficiently and accurately, in particular, the Price Schedule, for which a form is provided in Section IV. In addition, the Schedule of Requirements, together with the Price Schedule, should serve as a basis in the event of quantity variation at the time of award of contract pursuant to ITB Clause 41.

The date or period for delivery should be carefully specified, taking into account (a) the implications of delivery terms stipulated in the Instructions to Bidders pursuant to the *Incoterms* rules (i.e., EXW, or DDP, CIP, FOB, FCA terms—that “delivery” takes place when goods are delivered **to the carriers**), and (b) the date prescribed herein from which the Contracting Authority’s delivery obligations start (i.e., notice of award, contract signature, opening or confirmation of the letter of credit).

1. List of Goods and Delivery Schedule

[The Contracting Authority shall fill in this table, with the exception of the column “Bidder’s offered Delivery date” to be filled by the Bidder]

No	Item	Quantity	Unit price (ETB)	Total price (ETB)	Total Price in (USD)
1	Modern Bee hive	100			
2	Honey extractor	2			
3	Waxing mold sheet	2			
4	bee hive smoker	10			
5	Bee veil	40			
6	queen excluder	100			
7	Kenya top bar transition hive	100			
8	Beekeeping protective Glove	40			
9	Beekeeping protective suit	40			
10	Beekeeping Tools Kit				
11	uncapping fork tool	10			
12	Bee Hive Frame Grip	10			
13	Bee Hive Brush	20			
14	1X embedder	20			
15	Transport to site	1			

	Total cost				
--	-------------------	--	--	--	--

2. List of Related Services and Completion Schedule

[This table shall be filled in by the Contracting Authority. The Required Completion Dates should be realistic, and consistent with the required Goods Delivery Dates (as per Incoterms)]

No	Item	Quantity	Place where Services shall be performed	Final Completion Date(s) of Services	Remarks (supplier specs)
1	Modern Bee hive	100	Akendeyu, Kurmuk Woreda, Benishangul-Gumuz Region	3 weeks after issue of Contract	
2	Honey extractor	2	Akendeyu, Kurmuk Woreda, Benishangul-Gumuz Region	3 weeks after issue of Contract	
3	Waxing mold sheet	2	Akendeyu, Kurmuk Woreda, Benishangul-Gumuz Region	3 weeks after issue of Contract	
4	bee hive smoker	10	Akendeyu, Kurmuk Woreda, Benishangul-Gumuz Region	3 weeks after issue of Contract	
5	Bee veil	40	Akendeyu, Kurmuk Woreda, Benishangul-Gumuz Region	3 weeks after issue of Contract	

6	queen excluder	100	Akendeyu, Kurmuk Woreda, Benishangul-Gumuz Region	3 weeks after issue of Contract	
7	Kenya top bar transition hive	100	Akendeyu, Kurmuk Woreda, Benishangul-Gumuz Region	3 weeks after issue of Contract	
8	Beekeeping protective Glove	40	Akendeyu, Kurmuk Woreda, Benishangul-Gumuz Region	3 weeks after issue of Contract	
9	Beekeeping protective suit	40	Akendeyu, Kurmuk Woreda, Benishangul-Gumuz Region	3 weeks after issue of Contract	
10	Beekeeping Tools Kit		Akendeyu, Kurmuk Woreda, Benishangul-Gumuz Region	3 weeks after issue of Contract	
11	uncapping fork tool	10	Akendeyu, Kurmuk Woreda, Benishangul-Gumuz Region	3 weeks after issue of Contract	
12	Bee Hive Frame Grip	10	Akendeyu, Kurmuk Woreda, Benishangul-Gumuz Region	3 weeks after issue of Contract	
13	Bee Hive Brush	20	Akendeyu, Kurmuk Woreda, Benishangul-Gumuz Region	3 weeks after issue of Contract	
14	1X embedder	20	Akendeyu, Kurmuk Woreda, Benishangul-Gumuz Region	3 weeks after issue of Contract	

1. If applicable

3. Technical Specifications

1. Measurement or dimension to be considered for construction of apiary

No	Item consideration	Measurement	Remarks
1	Hive stand	Height=70cm,length=50cm,width=40cm	
2	The length within the hive stand from one to others	150cm(1.5m)	The hive stand Side by side in straight line
3	The width between one hive stand to other in parallel.	300cm (3m) excluding the dimension of the hive stand.	The hive stand parallel in line
4	The height of apiary	The height must be 2.5 in the parallel both sides and 3m in the center(diagonal)	
5	length a of apiary	The length dimension of the apiary is the depends on the number of hives to be stacked.	For 100 hives needs 75m in two rows which needs $75*4=300m^2$
6	Width of apiary	The width must be 4m including the dimension of the two parallel hive stand	

NB:-consideration to be constructs the apiary

- ❖ the site must have river or water site which is 0.5-1km and plantation areas specially honey bee flowers
- ❖ The site must be free from any chemicals and pesticides
- ❖ The site must be free from any animal or humans movements/should be closed any movements/.

Part two:-List of beekeeping equipment's and materials needs in the apiary farm

1. Specification for honey extractor (የማረ ማጣረያ).

Specifications

Name	4 Frame Manual Honey Extractor
Color	Silver + red
Materials	stainless steel
Size	52x52x78cm/20.5x20.5x30.7in
Gross weight	20 kg

Features

- ❖ High sensitivity, convenient and easy to use, saving time and effort.
- ❖ Both halves of the lid can be removed and are independent of each other.
- ❖ The spinning process can be easily observed through the large plexiglass cover.
- ❖ This stainless steel honey extractor is equipped with a robust hand drive and stainless steel feet.
- ❖ The extra strong bottom of the kettle leads the honey well to the bottom edge to the drain.
- ❖ Easy and efficient operation of the stainless steel centrifugal basket and ensures a high honey yield.
- ❖ Honey can be easily taken, greatly improving the production efficiency and the effect of separating honey.

Picture for honey extractor



2. Wax mold casting sheet (የሰጭ ማተሚያ)

Specifications

Name	Wax mold casting sheet
Color	Silver
Materials	stainless steel/ <i>aluminium alloy</i>
<i>Packing size:</i>	12x30x48cm
Shape	Rectangular
<ul style="list-style-type: none">• Thicknesses available from	1/32" to 1/4"

Picture



Benefitbee www.benefitbee.net



Benefitbee www.benefitbee.net

3. Specification of bee hive smoker (എൻ്റ്)

Type:- Stainless Steel Bee Hive Smoker with Heat Shield

Features:

- Made of stainless steel, durable and not easy to get rust.
- Leather yellow bellow for consistent air flow.
- The bee hive smoker produces safe cool smoke to help calm bees and protect from stings during hive maintenance.
- Heat aerator for better airflow and longer lasting smolder, safe and easy to use.
- A mounting hook for or storing the smoker safely.

Specifications:-

- Material: Stainless steel
- Item Size: 180 * 65mm / 7.08 * 2.56in
- Package Weight: 258g / 9.11oz
- Package Size: 19 * 15 * 10cm / 7.48 * 5.91 * 3.94in

Picture



4. Bee veil (አይን እርግብ)

Specifications:

- Square **Beekeeping Veil Hats**;
- Removable hat top & then you can fold the hat flat;
- Easy to carry and storage;
- There are elastic straps that go through the arm pit to keep the veil tight to the body
- Made in cotton material
- Soft and comfortable
- Light-weight
- Dimensions : 33.02 x 33.02 x 2.54 cm; 150 Grams
- Item Weight : 150 g
- Item Dimensions LxWxH : 33 x 33 x 2.5 Centimeters

5. queen excluder (የንግስት ንብ ማገጃ)

specification

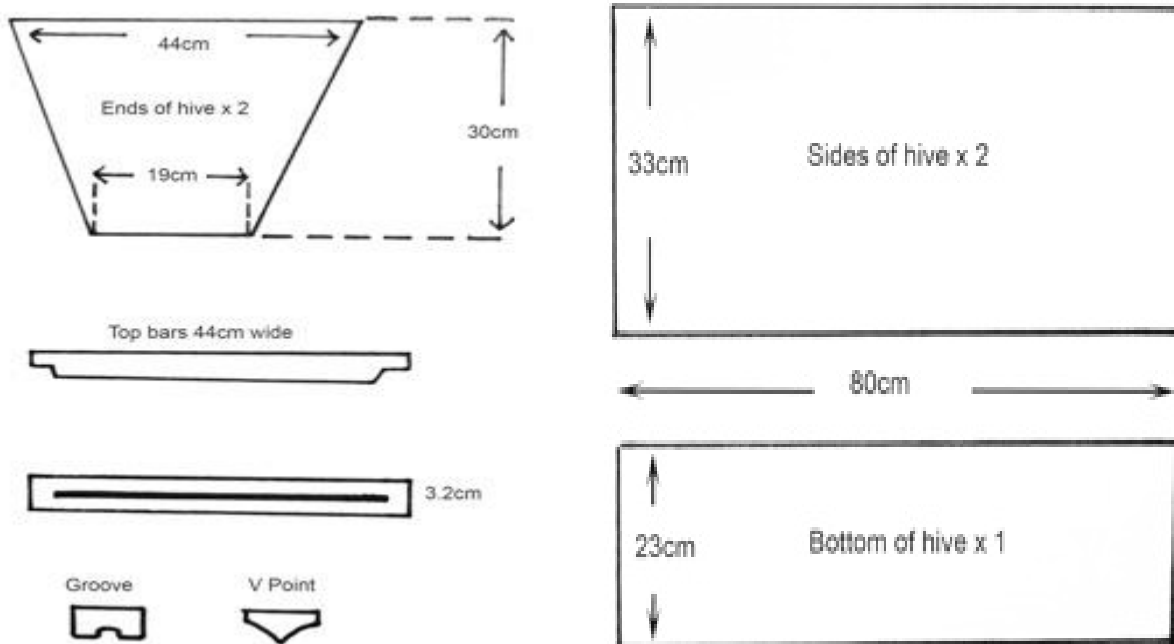
- **type**:-aluminium queen excluder/Plastic
- The parameters of Queen Excluder

Product Name	Plastic Queen Excluder
Material	PE/PP
Color	White Queen Excluder
Size	51*41cm
N.W	264.6g
OEM/ODM	Yes

6. Kenya top bar transition hive

- **three basic components, i.e. the body, top bars and the roof. Keep in mind to follow the measurements and in particular for the top bars!**

Plywood Preparation (diminution)



7. Glove

Specifications

- Palm & back made of high quality soft gold cowhide Leather with rubberizes cuff
- Cantered mesh for Ventilation & thick canvas gauntlet
- It reaches half way up your forearm with elastic
- Double thickness white ventilation fabric
- Supple Cowhide for comfort
- Elastic Closure at end of cuff to prevent bee entry
- 100% Cotton Zean
- Rubberised Sting proof Cuffs

- Nice Long arm Protection

Sizes

	Part of Sheep skin Length	Total Length End to End
MEDIUM	22 cm	56 cm
LARGE	23 cm	58 cm

Package Included: 1x Pair Beekeeping Gloves

8. protective suit

Product Description

- The materials of beekeeper clothing are comfortable and durable cotton/polyester which are high quality and fit together as prevent any possible bee entry through the suit.
- The styles of beekeeper clothing: Suit.

Material:	cotton
Color	white or brown
Specifications	With veil and zipper
Weight	730g



9. Beekeeping Tools Kit Bee Hive Keeping

Product Description

Package Includes:

1 x UNCAPPING FORK TOOL

1 x Bee Hive Frame Grip

1 x Synthetic Bee Hive Brush

1 x Mini Beekeeping Entrance Feeder

1X embedder

10. Modern bee hive

Hive and frame dimension

Hive parts	Length in mm	Width in mm	Height in mm
Brood chamber external internal	500 460	450 420	245 -
Super chamber External Internal	500 460	450 420	245 -
Frames External Internal	480 400	- -	230 190
Roof (top) External	700	650	35

Table 2. Frame dimension

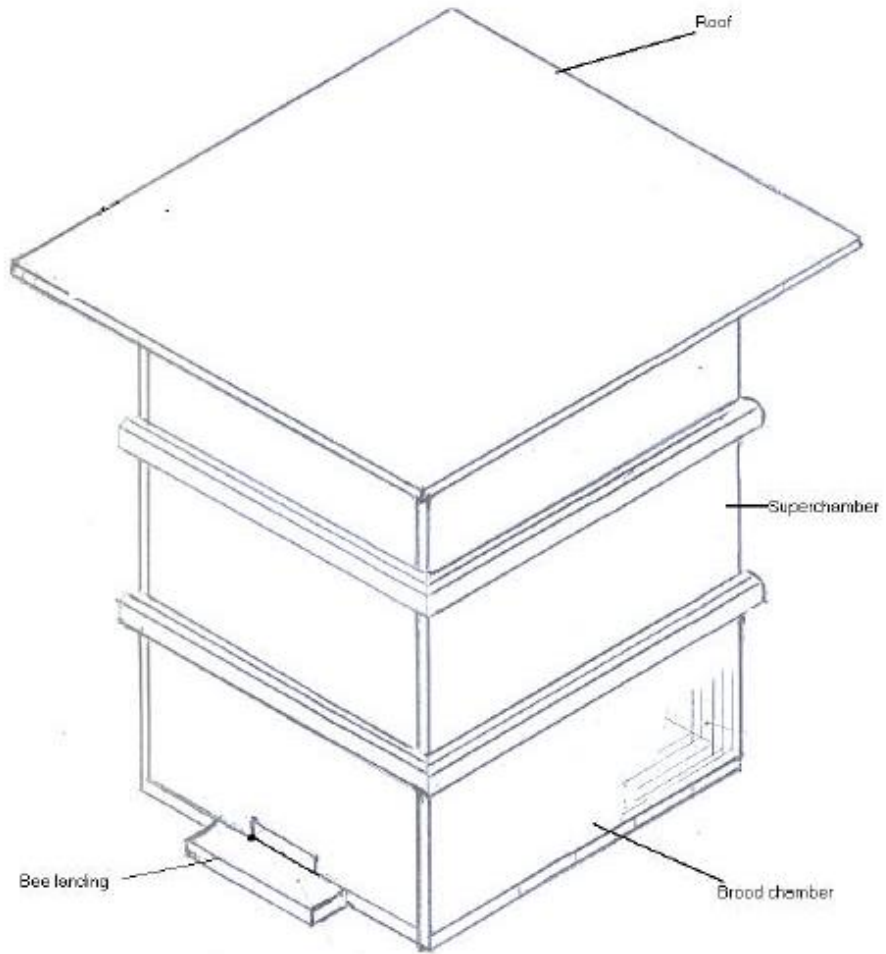
• **Frame measurement are critical**

	Length of top bar frame	Length of bottom bar frame	Length of Depth of rame
External	480 mm	440mm	230mm
Internal	400mm	400 mm	190mm

Frame measurement

Fig . Zander modern bee hive

Zander hive(Modified)



ZANDER HIVE(MODIFIED)

4. Drawings

These Bidding Documents includes *[insert “the following” or “no”]* drawings.

[If documents shall be included, insert the following List of Drawings] **Please refer above**

5. Inspections and Tests

The following inspections and tests shall be performed: *[insert list of inspections and tests]*

PART 3 - Contract

IGAD
STANDARD CONTRACT FOR GOODS

CONTRACT FOR [insert the name of the contract]

Number [insert the number of the contract]

Lot Number: [insert the number]

BETWEEN *[insert the name]* (“the Contracting Authority”)

AND

CONTRACTOR *[insert the name]* (“the Contractor”)

DATE: *[insert the month and the year]*

Table of Contents

[CONTRACT AGREEMENT](#).....[46](#)
[SECTION 1 – GENERAL CONDITIONS OF CONTRACT](#)[49](#)
[SECTION II. SPECIAL CONDITIONS OF CONTRACT](#).....[77](#)
[SECTION III. TECHNICAL REQUIREMENTS \(INCLUDING SCHEDULE OF REQUIREMENTS AND TECHNICAL SPECIFICATIONS\)](#)[89](#)
[SECTION IV. THE CONTRACTOR’S BID AND ORIGINAL PRICE SCHEDULES](#).....[90](#)
[SECTION V. THE CONTRACTING AUTHORITY’S NOTIFICATION OF AWARD](#)[91](#)

Contract Agreement

[The successful Bidder shall fill in this form in accordance with the instructions indicated]

THIS CONTRACT AGREEMENT is made

the *[insert: number]* day of *[insert: month]*, *[insert: year]*.

BETWEEN

- (1) *[insert complete name of Contracting Authority], a [insert description of type of legal entity, for example, an agency of the Ministry of of the Government of {insert name of Country of Contracting Authority}, or corporation incorporated under the laws of {insert name of Country of Contracting Authority}] and having its principal place of business at [insert address of Contracting Authority] (hereinafter called “the Contracting Authority”), and*
- (2) *[insert name of Contractor], a corporation incorporated under the laws of [insert: country of Contractor] and having its principal place of business at [insert: address of Contractor] (hereinafter called “the Contractor”).*

WHEREAS the Contracting Authority invited bids for certain Goods and ancillary services, viz., *[insert brief description of Goods and Ancillary Services]* and has accepted a Bid by the Contractor for the supply of those Goods and Services in the sum of *[insert Contract Price in words and figures, expressed in the Contract currency(ies)]* (hereinafter called “the Contract Price”).

NOW THIS AGREEMENT WITNESSETH AS FOLLOWS:

1. In this Agreement words and expressions shall have the same meanings as are respectively assigned to them in the Conditions of Contract referred to.
2. The following documents shall constitute the Contract between the Contracting Authority and the Contractor, and each shall be read and construed as an integral part of the Contract:
 - (a) This Contract Agreement
 - (b) Section I – General Conditions of Contract
 - (c) Section I – Special Conditions of Contract
 - (d) Section III – Technical Requirements (including Schedule of Requirements and Technical Specifications)
 - (e) Section IV – The Contractor’s Bid and original Price Schedules
 - (f) Section V – The Contracting Authority’s Notification of Award

(g) *[Add here any other document(s)]*

3. This Contract shall prevail over all other Contract documents. In the event of any discrepancy or inconsistency within the Contract documents, then the documents shall prevail in the order listed above.
4. In consideration of the payments to be made by the Contracting Authority to the Contractor as hereinafter mentioned, the Contractor hereby covenants with the Contracting Authority to provide the Goods and Services and to remedy defects therein in conformity in all respects with the provisions of the Contract.
5. The Contracting Authority hereby covenants to pay the Contractor in consideration of the provision of the Goods and Related Services and the remedying of defects therein, the Contract Price or such other sum as may become payable under the provisions of the Contract at the times and in the manner prescribed by the Contract.

IN WITNESS whereof the parties hereto have caused this Agreement to be executed in accordance with the laws of *[insert the name of the Contract governing law country]* on the day, month and year indicated above.

For and on behalf of the Contracting Authority

Signed: *[insert signature]*
in the capacity of *[insert title or other appropriate designation]*
in the presence of *[insert identification of official witness]*

For and on behalf of the Contractor

Signed: *[insert signature of authorized representative(s) of the Contractor]*
in the capacity of *[insert title or other appropriate designation]*
in the presence of *[insert identification of official witness]*

SECTION 1 – GENERAL CONDITIONS OF CONTRACT

Table of Clauses

1.	DEFINITIONS	51
2.	CONTRACT DOCUMENTS	52
3.	FRAUD AND CORRUPTION	52
4.	INTERPRETATION	54
5.	LANGUAGE.....	55
6.	JOINT VENTURE, CONSORTIUM OR ASSOCIATION	55
7.	ELIGIBILITY	55
8.	NOTICES.....	56
9.	GOVERNING LAW.....	56
10.	SETTLEMENT OF DISPUTES	56
11.	SCOPE OF SUPPLY.....	57
12.	DELIVERY AND DOCUMENTS	57
13.	CONTRACTOR'S RESPONSIBILITIES.....	57
14.	CONTRACT PRICE.....	58
15.	TERMS OF PAYMENT	58
16.	TAXES AND DUTIES.....	60
17.	PERFORMANCE SECURITY	60
18.	COPYRIGHT	60
19.	CONFIDENTIAL INFORMATION	61
20.	SUBCONTRACTING	62
21.	SPECIFICATIONS AND STANDARDS	62
22.	PACKING AND DOCUMENTS	62
23.	INSURANCE	63
24.	TRANSPORTATION	63
25.	INSPECTIONS AND TESTS	63
26.	LIQUIDATED DAMAGES	64
27.	WARRANTY, PROVISIONAL AND FINAL ACCEPTANCE	64
28.	PATENT INDEMNITY	66

29.	LIMITATION OF LIABILITY	67
30.	CHANGE IN LAWS AND REGULATIONS.....	68
31.	FORCE MAJEURE	68
32.	CHANGE ORDERS AND CONTRACT AMENDMENTS	69
33.	EXTENSIONS OF TIME	69
34.	TERMINATION	70
35.	BREACH OF CONTRACT	72
36.	ADMINISTRATIVE SANCTIONS	73
37.	ASSIGNMENT	74
38.	EXPORT RESTRICTION.....	74

Section I. General Conditions of Contract

1. Definitions

- (h) 1.1 The following words and expressions shall have the meanings hereby assigned to them:
- (a) **“Contract”** means the Contract Agreement entered into between the Contracting Authority and the Contractor, together with the Contract Documents referred to therein, including all attachments, appendices, and all documents incorporated by reference therein.
 - (b) **“Contract Documents”** means the documents listed in the Contract Agreement, including any amendments thereto.
 - (c) **“Contract Price”** means the price payable to the Contractor as specified in the Contract Agreement, subject to such additions and adjustments thereto or deductions therefrom, as may be made pursuant to the Contract.
 - (d) **“Day”** means calendar day.
 - (e) **“Completion”** means the fulfillment of the Related Services by the Contractor in accordance with the terms and conditions set forth in the Contract.
 - (f) **“Contracting Authority”** means the entity purchasing the Goods and Related Services, as specified in the SCC.
 - (g) **“Contracting Authority’s Country”** is the country specified in the Special Conditions of Contract (SCC).
 - (h) **“GCC”** means the General Conditions of Contract.
 - (i) **“Goods”** means all of the commodities, raw material, machinery and equipment, and/or other materials that the Contractor is required to supply to the Contracting Authority under the Contract.
 - (j) **“The Contract Manager”**, where applicable, means the person in charge of the day to day implementation of the contract on behalf of the Contracting Authority.
 - (k) **“Contractor”** means the natural person, private or government entity, or a combination of the above, whose bid to perform the Contract has been accepted by the Contracting Authority and is named as such in the Contract Agreement.
 - (l) **“The IGAD”** means the Intergovernmental Authority on Development established in Article 3 of the Agreement.
 - (m) **“The Project Site,”** where applicable, means the place named in the SCC.
 - (n) **“Related Services”** means the services incidental to the supply of the goods, such as insurance, installation, training and initial maintenance and other such obligations of the Contractor under the Contract.
 - (o) **“SCC”** means the Special Conditions of Contract.

- (p) **“Subcontractor”** means any natural person, private or government entity, or a combination of the above, to whom any part of the Goods to be supplied or execution of any part of the Related Services is subcontracted by the Contractor.

2. Contract Documents

- 2.1 Subject to the order of precedence set forth in the Contract Agreement, all documents forming the Contract (and all parts thereof) are intended to be correlative, complementary, and mutually explanatory. The Contract Agreement shall be read as a whole.

3. Fraud and Corruption

- 3.1. It is IGAD policy to require that Contracting Authority as well as bidders, suppliers, and contractors and their subcontractors under IGAD financed contracts, observe the highest standard of ethics during the procurement and execution of such contracts.²² In pursuance of this policy, IGAD:

- (a) defines, for the purposes of this provision, the terms set forth below as follows:
- (i) “corrupt practice”²³ is the offering, giving, receiving or soliciting, directly or indirectly, of anything of value to influence improperly the actions of another party;
 - (ii) “fraudulent practice”²⁴ is any act or omission, including a misrepresentation, that knowingly or recklessly misleads, or attempts to mislead, a party to obtain a financial or other benefit or to avoid an obligation;
 - (iii) “collusive practice”²⁵ is an arrangement between two or more parties designed to achieve an improper purpose, including to influence improperly the actions of another party;
 - (iv) “coercive practice”²⁶ is impairing or harming, or threatening to impair or harm, directly or indirectly,

²² *In this context, any action taken by a bidder, supplier, contractor, or a sub-contractor to influence the procurement process or contract execution for undue advantage is improper.*

²³ *“another party” refers to a public official acting in relation to the procurement process or contract execution]. In this context, “public official” includes IGAD staff and employees of other organizations taking or reviewing procurement decisions.*

²⁴ *a “party” refers to a public official; the terms “benefit” and “obligation” relate to the procurement processor contract execution; and the “act or omission” is intended to influence the procurement process or contract execution.*

²⁵ *“parties” refers to participants in the procurement process (including public officials) attempting to establish bid prices at artificial, non-competitive levels.*

²⁶ *a “party” refers to a participant in the procurement process or contract execution.*

any party or the property of the party to influence improperly the actions of a party;

(v) “obstructive practice” is

(aa) deliberately destroying, falsifying, altering or concealing material evidence to the investigation or making false statements to investigators in order to materially impede a IGAD, or a governmental or independent investigation into allegations of a corrupt, fraudulent, coercive, or collusive practice; and/or threatening, harassing, or intimidating any party to prevent it from disclosing its knowledge of matters relevant to the investigation or from pursuing the investigation, or

(bb) acts intended to materially impede the exercise of IGAD or governmental or inspection and audit rights.

(b) It shall take the following measures against the bidder recommended for award who has, directly or through an agent, engaged in corrupt, fraudulent, collusive, coercive, or obstructive practices in competing for the contract in question;

(i) shall reject the bid for award;

(ii) shall declare the bidder/the contractor, including its affiliates, ineligible, either indefinitely or for a stated period of time, to become a contractor for IGAD funded contracts;

(iii) shall cancel or terminate any ongoing contract with the bidder /the contractor;

(iv) shall request a the relevant national authorities to conduct a joint investigation with IGAD to inspect or carry out audits of the bidder /the contractor’ accounting records and financial statements in connection with the contract in question for which it was found guilty of engaging in corrupt, fraudulent, collusive, coercive, or obstructive practices;

(v) shall forfeit the bid or performance securities of the bidder /the contractor;

(vi) shall suspend any payments due to the bidder/ contractor, under the contract in question or any

other contract the bidder/contractor might have with the organization, until the extent of damage caused by the its engagement in corrupt, fraudulent, collusive, coercive or obstructive practices in competing for an IGAD funded contract are determined and recovered, and

- (vii) shall sue the bidder /contractor to recover the damages caused by its engagement in corrupt, fraudulent, collusive, coercive or obstructive practices in competing for the contract in question, if they are not fully recovered by the securities and the payments otherwise due to the bidder/contractor.

4. Interpretation

4.1 If the context so requires it, singular means plural and vice versa.

4.2 Incoterms

- (a) Unless inconsistent with any provision of the Contract, the meaning of any trade term and the rights and obligations of parties thereunder shall be as prescribed by Incoterms.
- (b) The terms EXW, CIP, DDP, FCA, CFR and other similar terms, when used, shall be governed by the rules prescribed in the current edition of Incoterms specified in the SCC and published by the International Chamber of Commerce in Paris, France.

4.3 Entire Agreement

- (i) The Contract constitutes the entire agreement between the Contracting Authority and the Contractor and supersedes all communications, negotiations and agreements (whether written or oral) of the parties with respect thereto made prior to the date of Contract.

4.4 Amendment

- (j) No amendment or other variation of the Contract shall be valid unless it is in writing, is dated, expressly refers to the Contract, and is signed by a duly authorized representative of each party thereto.

4.5 Non waiver

- (a) Subject to GCC Sub-Clause 4.5(b) below, no relaxation, forbearance, delay, or indulgence by either party in enforcing any of the terms and conditions of the Contract or the granting of time by either party to the other shall prejudice, affect, or restrict the rights of that party under the Contract, neither shall

any waiver by either party of any breach of Contract operate as waiver of any subsequent or continuing breach of Contract.

- (b) Any waiver of a party's rights, powers, or remedies under the Contract must be in writing, dated, and signed by an authorized representative of the party granting such waiver, and must specify the right and the extent to which it is being waived.

4.6 Severability

(k) If any provision or condition of the Contract is prohibited or rendered invalid or unenforceable, such prohibition, invalidity or unenforceability shall not affect the validity or enforceability of any other provisions and conditions of the Contract.

5. Language

5.1 The Contract as well as all correspondence and documents relating to the Contract exchanged by the Contractor and the Contracting Authority, shall be written in the language specified in the **SCC**. Supporting documents and printed literature that are part of the Contract may be in another language provided they are accompanied by an accurate translation of the relevant passages in the language specified, in which case, for purposes of interpretation of the Contract, this translation shall govern.

5.2 The Contractor shall bear all costs of translation to the governing language and all risks of the accuracy of such translation, for documents provided by the Contractor.

6. Joint Venture, Consortium or Association

6.1 If the Contractor is a joint venture, consortium, or association, all of the parties shall be jointly and severally liable to the Contracting Authority for the fulfillment of the provisions of the Contract and shall designate one party to act as a leader with authority to bind the joint venture, consortium, or association. The composition or the constitution of the joint venture, consortium, or association shall not be altered without the prior consent of the Contracting Authority.

7. Eligibility

7.1 **Is so specified in the SCC**, the Contractor and its Subcontractors shall have the nationality of an eligible country. A Contractor or Subcontractor shall be deemed to have the nationality of a country if it is constituted, incorporated, or registered, and operates in conformity with the provisions of the laws of that country. This restriction doesn't apply to the contractors and subcontractor's personnel.

7.2 **Is so specified in the SCC**, all Goods and Related Services to be supplied under the Contract shall have their origin in Eligible Countries. For the purpose of this Clause, origin means the country where the goods have been grown, mined, cultivated,

produced, manufactured, or processed; or through manufacture, processing, or assembly, another commercially recognized article results that differs substantially in its basic characteristics from its components.

7.3 The Contractor has the obligation to promptly notify the Contracting Authority about any change in their or their subcontractor legal or commercial status that might affect the eligibility conditions that prevail at the time of prequalification.

8. Notices

8.1 Any notice given by one party to the other pursuant to the Contract shall be in writing to the address specified in the **SCC**. The term “in writing” means communicated in written form with proof of receipt.

8.2 A notice shall be effective when delivered or on the notice’s effective date, whichever is later.

9. Governing Law

9.1 The Contract shall be governed by and interpreted in accordance with the laws of the Contracting Authority’s Country, unless otherwise specified in the **SCC**.

10. Settlement of Disputes

10.1 The Contracting Authority and the Contractor shall make every effort to resolve amicably by direct informal negotiation any disagreement or dispute arising between them under or in connection with the Contract.

10.2 If, after twenty-eight (28) days, the parties have failed to resolve their dispute or difference by such mutual consultation, then either the Contracting Authority or the Contractor may give notice to the other party of its intention to commence arbitration, as hereinafter provided, as to the matter in dispute, and no arbitration in respect of this matter may be commenced unless such notice is given. Any dispute or difference in respect of which a notice of intention to commence arbitration has been given in accordance with this Clause shall be finally settled by arbitration. Arbitration may be commenced prior to or after delivery of the Goods under the Contract. Arbitration proceedings shall be conducted in accordance with the rules of procedure **specified in the SCC**.

10.3 Notwithstanding any reference to arbitration herein,

(a) the parties shall continue to perform their respective obligations under the Contract unless they otherwise agree; and

(b) the Contracting Authority shall pay the Contractor any monies due the Contractor.

11. Scope of Supply 11.1 The Goods and Related Services to be supplied shall be as specified in the Schedule of Requirements.

12. Delivery and Documents 12.1 Subject to GCC Sub-Clause 32.1, the Delivery of the Goods and Completion of the Related Services shall be in accordance with the Delivery and Completion Schedule specified in the Schedule of Requirements. The details of shipping and other documents to be furnished by the Contractor are specified in the SCC.

13. Contractor's Responsibilities 13.1 The Contractor shall supply all the Goods and Related Services included in the Scope of Supply in accordance with GCC Clause 11, and the Delivery and Completion Schedule, as per GCC Clause 12.

13.2 The Contractor shall execute the contract with due care, efficiency and diligence in accordance with the best professional practice.

13.3 The Contractor shall, in accordance with the provisions of the contract, design, manufacture, deliver to site, erect, test and commission the supplies and carry out any other work including the remedying of any defects in the supplies. The Contractor shall also provide all necessary equipment, supervision, labour and facilities required for the implementation of tasks.

13.4 The Contractor shall supply, without any delay, any information and documents to the Contracting Authority upon request, regarding the conditions in which the contract is being executed.

13.5 The Contractor shall respect and abide all laws and regulations in force in the country where the goods are to be delivered and shall ensure that its personnel, their dependents and its local employees also respect and abide by all such laws and regulations. The Contractor shall indemnify the Contracting Authority against any claims and proceedings arising from any infringement by the Contractor, its employees, and their dependents of such laws and regulations.

13.6 Should any unforeseen event, action or omission directly or indirectly hamper performance of the Contract, either partially or totally, the Contractor shall immediately and at its own initiative record it and report it to the Contracting Authority. The report shall include a description of the problem and an indication of the date on which it started and of the remedial action taken by the Contractor to ensure full compliance with its

obligations under the contract. In such event the Contractor shall give priority to solving the problem rather than determining liability.

13.7 Any records shall be kept for a 7-year period after the final payment made under the contract. In case of failure to maintain such records the Contracting Authority may, without formal notice thereof, apply as of right the sanction for breach of contract provided for in art 34.

14. Contract Price

14.1 Prices charged by the Contractor for the Goods supplied and the Related Services performed under the Contract shall not vary from the prices quoted by the Contractor in its bid, with the exception of any price adjustments authorized in the **SCC**.

15. Terms of Payment

15.1 The Contract Price, including any Advance Payments, if applicable, shall be paid as specified in the **SCC**.

15.2 The Contractor's request for payment shall be made to the Contracting Authority in writing, accompanied by invoices describing, as appropriate, the Goods delivered and Related Services performed, and by the documents submitted pursuant to GCC Clause 12 and upon fulfillment of all other obligations stipulated in the Contract.

15.3 Pre-finance payment shall be made within 30 days from the date of which the Contracting Authority registers an admissible invoice.

15.4 Payments shall be made promptly by the Contracting Authority, but in no case later than sixty (60) days after submission of an invoice or request for payment by the Contractor, and after the Contracting Authority has accepted it. Any default in payment of more than 90 days from the expiry of the period laid down in this article or in the Special Conditions shall entitle the Contractor either not to perform the contract or terminate according to article 34.

15.5 The currencies in which payments shall be made to the Contractor under this Contract shall be those in which the bid price is expressed.

15.6 In the event that the Contracting Authority fails to pay the Contractor any payment by its due date or within the period set forth in the **SCC**, the Contracting Authority shall pay to the Contractor interest on the amount of such delayed payment at the rate shown in the **SCC**, for the period of delay until payment

has been made in full, whether before or after judgment or arbitration award.

15.7 The payments shall be made as follows:

- a) 40% of the total contract price after the signing of the contract, against provision of the performance guarantee and of a pre-financing guarantee for the full amount of the pre-financing payment, unless otherwise provided for in the Special Conditions. The pre-financing guarantee shall be provided to the Contracting Authority following the procedure foreseen for the performance guarantee and in accordance with the format annexed to the contract. The pre-financing guarantee must remain valid until is released 30 days at the latest after the provisional acceptance of the goods. Where the Contractor is a public body, the obligation for a pre-financing guarantee may be waived depending on a risk assessment made;
 - b) 60% of the total contract price, as payment of the balance, after receipt by the Contracting Authority of an invoice and of the application for the certificate of provisional acceptance;
- (l) 15.7. Where only part of the goods have been delivered, the 60% payment due following the partial provisional acceptance shall be calculated on the value of the goods which have actually been accepted and the security shall be released accordingly.
 - (m) 15.8. Unless otherwise stipulated in the Special Conditions, the contract shall be at fixed prices, which shall not be revised.
 - (n) 15.9. The Contractor undertakes to repay any amounts paid in excess of the final amount due to the Contracting Authority before the deadline indicated in the debit note, which is 45 days from the issuing of that note. Should the Contractor fail to make repayment within the above deadline, the Contracting Authority may (unless the Contractor is a public body) increase the amounts due by adding interest at the rediscount rate applied by the central bank of the country of the Contracting Authority if payments are in the currency of that country.;
 - (o) 15.10. If the contract is terminated for any reason whatsoever, the guarantee securing the pre-financing may be invoked forthwith in order to repay the balance of the pre-financing still owed by the Contractor, and the guarantor shall not delay payment or raise objection for any reason whatsoever.

(p) 15.11. Prior to, or instead of, terminating the contract as provided for in article 34, the Contracting Authority may suspend payments as precautionary measure without prior notice.

16. Taxes and Duties

16.1 For goods manufactured outside the Contracting Authority's Country, the Contractor shall be entirely responsible for all taxes, stamp duties, license fees, and other such levies imposed outside the Contracting Authority's Country.

16.2 For goods Manufactured within the Contracting Authority's country, the Contractor shall be entirely responsible for all taxes, duties, license fees, etc., incurred until delivery of the contracted Goods to the Contracting Authority.

16.3 If any tax exemptions, reductions, allowances or privileges may be available to the Contractor in the Contracting Authority's Country, the Contracting Authority shall use its best efforts to enable the Contractor to benefit from any such tax savings to the maximum allowable extent.

17. Performance Security

17.1 If required as specified in the SCC, the Contractor shall, within twenty-eight (28) days of the notification of contract award, provide a performance security for the performance of the Contract in the amount specified in the SCC.

17.2 The proceeds of the Performance Security shall be payable to the Contracting Authority as compensation for any loss resulting from the Contractor's failure to complete its obligations under the Contract.

17.3 As specified in the SCC, the Performance Security, if required, shall be denominated in the currency of the Contract and shall be in the format stipulated by the Contracting Authority in the SCC, or in another format acceptable to the Contracting Authority.

17.4 The Performance Security shall be discharged by the Contracting Authority and returned to the Contractor not later than twenty-eight (28) days following the date of Completion of the Contractor's performance obligations under the Contract, including any warranty obligations, unless specified otherwise in the SCC.

18. Copyright

18.1 The copyright in all drawings, documents, and other materials containing data and information furnished to the Contracting Authority by the Contractor herein shall remain vested in the

Contractor, or, if they are furnished to the Contracting Authority directly or through the Contractor by any third party, including Contractors of materials, the copyright in such materials shall remain vested in such third party

19. Confidential Information

- 19.1 The Contracting Authority and the Contractor shall keep confidential and shall not, without the written consent of the other party hereto, divulge to any third party any documents, data, or other information furnished directly or indirectly by the other party hereto in connection with the Contract, whether such information has been furnished prior to, during or following completion or termination of the Contract. Notwithstanding the above, the Contractor may furnish to its Subcontractor such documents, data, and other information it receives from the Contracting Authority to the extent required for the Subcontractor to perform its work under the Contract, in which event the Contractor shall obtain from such Subcontractor an undertaking of confidentiality similar to that imposed on the Contractor under GCC Clause 19.
- 19.2 The Contracting Authority shall not use such documents, data, and other information received from the Contractor for any purposes unrelated to the contract. Similarly, the Contractor shall not use such documents, data, and other information received from the Contracting Authority for any purpose other than the performance of the Contract.
- 19.3 The obligation of a party under GCC Sub-Clauses 19.1 and 19.2 above, however, shall not apply to information that:
- (a) the Contracting Authority or Contractor need to share with IGAD or other institutions participating in the financing of the Contract;
 - (b) now or hereafter enters the public domain through no fault of that party;
 - (c) can be proven to have been possessed by that party at the time of disclosure and which was not previously obtained, directly or indirectly, from the other party; or
 - (d) otherwise lawfully becomes available to that party from a third party that has no obligation of confidentiality.
- 19.4 The above provisions of GCC Clause 19 shall not in any way modify any undertaking of confidentiality given by either of the parties hereto prior to the date of the Contract in respect of the Supply or any part thereof.
- 19.5 The provisions of GCC Clause 19 shall survive completion or termination, for whatever reason, of the Contract.

- 20. Subcontracting**
- 20.1 The Contractor shall notify the Contracting Authority in writing of all subcontracts awarded under the Contract if not already specified in the bid. Such notification, in the original bid or later shall not relieve the Contractor from any of its obligations, duties, responsibilities, or liability under the Contract.
- 20.2 Subcontracts shall comply with the provisions of GCC Clauses 3 and 7.
- 21. Specifications and Standards**
- 21.1 Technical Specifications and Drawings
- (a) The Goods and Related Services supplied under this Contract shall conform to the technical specifications and standards mentioned in Section VI, Schedule of Requirements and, when no applicable standard is mentioned, the standard shall be equivalent or superior to the official standards whose application is appropriate to the Goods' country of origin.
- (b) The Contractor shall be entitled to disclaim responsibility for any design, data, drawing, specification or other document, or any modification thereof provided or designed by or on behalf of the Contracting Authority, by giving a notice of such disclaimer to the Contracting Authority.
- (c) Wherever references are made in the Contract to codes and standards in accordance with which it shall be executed, the edition or the revised version of such codes and standards shall be those specified in the Schedule of Requirements. During Contract execution, any changes in any such codes and standards shall be applied only after approval by the Contracting Authority and shall be treated in accordance with GCC Clause 32.
- 22. Packing and Documents**
- 22.1 The Contractor shall provide such packing of the Goods as is required to prevent their damage or deterioration during transit to their final destination, as indicated in the Contract. During transit, the packing shall be sufficient to withstand, without limitation, rough handling and exposure to extreme temperatures, salt and precipitation, and open storage. Packing case size and weights shall take into consideration, where appropriate, the remoteness of the goods' final destination and the absence of heavy handling facilities at all points in transit.
- 22.2 The packing, marking, and documentation within and outside the packages shall comply strictly with such special requirements as shall be expressly provided for in the Contract, including additional requirements, if any, specified in the SCC,

and in any other instructions ordered by the Contracting Authority.

- 23. Insurance** 23.1 Unless otherwise specified in the **SCC**, the Goods supplied under the Contract shall be fully insured—in a freely convertible currency from an eligible country—against loss or damage incidental to manufacture or acquisition, transportation, storage, and delivery, in accordance with the applicable Incoterms or in the manner specified in the **SCC**.
- 24. Transportation** 24.1 Unless otherwise specified in the **SCC**, responsibility for arranging transportation of the Goods shall be in accordance with the specified Incoterms.
- 25. Inspections and Tests** 25.1 The Contractor shall at its own expense and at no cost to the Contracting Authority carry out all such tests and/or inspections of the Goods and Related Services as are specified in the **SCC**.
- 25.2 The inspections and tests may be conducted on the premises of the Contractor or its Subcontractor, at point of delivery, and/or at the Goods' final destination, or in another place in the Contracting Authority's Country as specified in the **SCC**. Subject to GCC Sub-Clause 25.3, if conducted on the premises of the Contractor or its Subcontractor, all reasonable facilities and assistance, including access to drawings and production data, shall be furnished to the inspectors at no charge to the Contracting Authority.
- 25.3 The Contracting Authority or its designated representative shall be entitled to attend the tests and/or inspections referred to in GCC Sub-Clause 25.2, provided that the Contracting Authority bear all of its own costs and expenses incurred in connection with such attendance including, but not limited to, all traveling and board and lodging expenses.
- 25.4 Whenever the Contractor is ready to carry out any such test and inspection, it shall give a reasonable advance notice, including the place and time, to the Contracting Authority. The Contractor shall obtain from any relevant third party or manufacturer any necessary permission or consent to enable the Contracting Authority or its designated representative to attend the test and/or inspection.
- 25.5 The Contracting Authority may require the Contractor to carry out any test and/or inspection not required by the Contract but deemed necessary to verify that the characteristics and performance of the Goods comply with the technical specifications codes and standards under the Contract, provided that the Contractor's reasonable costs and expenses incurred in

the carrying out of such test and/or inspection shall be added to the Contract Price. Further, if such test and/or inspection impedes the progress of manufacturing and/or the Contractor's performance of its other obligations under the Contract, due allowance shall be made in respect of the Delivery Dates and Completion Dates and the other obligations so affected.

25.6 The Contractor shall provide the Contracting Authority with a report of the results of any such test and/or inspection.

25.7 The Contracting Authority may reject any Goods or any part thereof that fail to pass any test and/or inspection or do not conform to the specifications. The Contractor shall either rectify or replace such rejected Goods or parts thereof or make alterations necessary to meet the specifications at no cost to the Contracting Authority, and shall repeat the test and/or inspection, at no cost to the Contracting Authority, upon giving a notice pursuant to GCC Sub-Clause 25.4.

25.8 The Contractor agrees that neither the execution of a test and/or inspection of the Goods or any part thereof, nor the attendance by the Contracting Authority or its representative, nor the issue of any report pursuant to GCC Sub-Clause 25.6, shall release the Contractor from any warranties or other obligations under the Contract.

26. Liquidated Damages

26.1 Except as provided under GCC Clause 31, if the Contractor fails to deliver any or all of the Goods by the Date(s) of delivery or perform the Related Services within the period specified in the Contract, the Contracting Authority may without prejudice to all its other remedies under the Contract, deduct from the Contract Price, as liquidated damages, a sum equivalent to the percentage specified in the SCC of the delivered price of the delayed Goods or unperformed Services for each week or part thereof of delay until actual delivery or performance, up to a maximum deduction of the percentage specified in those SCC. Once the maximum is reached, the Contracting Authority may terminate the Contract pursuant to GCC Clause 34.

27. Warranty, Provisional and Final Acceptance

27.1 The Contractor warrants that all the Goods are new, unused, and of the most recent or current models, and that they incorporate all recent improvements in design and materials, unless provided otherwise in the Contract.

27.2 Subject to GCC Sub-Clause 21.1(b), the Contractor further warrants that the Goods shall be free from defects arising from any act or omission of the Contractor or arising from design,

materials, and workmanship, under normal use in the conditions prevailing in the country of final destination.

- 27.3 Unless otherwise specified in the **SCC**, the warranty shall remain valid for twelve (12) months after the Goods, or any portion thereof as the case may be, have been delivered to and accepted at the final destination indicated in the **SCC**, or for eighteen (18) months after the date of shipment from the port or place of loading in the country of origin, whichever period concludes earlier.
- 27.4 The Contracting Authority shall give notice to the Contractor stating the nature of any such defects together with all available evidence thereof, promptly following the discovery thereof. The Contracting Authority shall afford all reasonable opportunity for the Contractor to inspect such defects.
- 27.5 Upon receipt of such notice, the Contractor shall, within the period specified in the **SCC**, expeditiously repair or replace the defective Goods or parts thereof, at no cost to the Contracting Authority.
- 27.6 If having been notified, the Contractor fails to remedy the defect within the period specified in the **SCC**, the Contracting Authority may proceed to take within a reasonable period such remedial action as may be necessary, at the Contractor's risk and expense and without prejudice to any other rights which the Contracting Authority may have against the Contractor under the Contract.
- 27.7 The goods shall be taken over by the Contracting Authority when they have been delivered in accordance with the contract, have satisfactorily passed the required tests, or have been commissioned as the case may be, and a certificate of provisional acceptance has been issued or is deemed to have been issued.
- 27.8 The Contractor may apply, by notice to the Contract Manager, for a certificate of provisional acceptance when supplies are ready for a provisional acceptance. The Contract Manager shall within 30 days of receipt of the Contractor's application either issue the certificate of provisional acceptance to the Contractor with a copy to the Contracting Authority or reject the application, giving his reasons and specifying the action, which, in his opinion, is required of the Contractor for the certificate to be issued. In case of partial delivery, the Contracting Authority reserves the right to give partial provisional acceptance.

Immediately after provisional acceptance, the Contracting Authority may make use of all the goods delivered.

- 27.9 Upon expiry of the warranty period, or where there is more than one such period, upon expiry of the latest period, and when all defects or damage have been rectified, the Contract Manager shall issue the Contractor a final acceptance certificate and a copy thereof to the Contracting Authority, stating the date on which the Contractor completed its obligations under the contract to the Contract Manager's satisfaction. The final acceptance certificate shall be issued by the Contract Manager within 30 days after the expiration of the warranty period or as soon as any repairs ordered under have been completed to the satisfaction of the Contract Manager.
- 27.10 The contract shall not be considered to have been performed in full until the final acceptance certificate has been signed or is deemed to have been signed by the Contract Manager.
- 27.11 Notwithstanding the issue of the final acceptance certificate, the Contractor and the Contracting Authority shall remain liable for the fulfillment of any obligation incurred under the contract prior to the issue of the final acceptance certificate, which remains unperformed at the time that the final acceptance certificate is issued. The nature and extent of such obligation shall be determined by reference to the provisions of the contract.

**28. Patent
Indemnity**

- 28.1 The Contractor shall, subject to the Contracting Authority's compliance with GCC Sub-Clause 28.2, indemnify and hold harmless the Contracting Authority and its employees and officers from and against any and all suits, actions or administrative proceedings, claims, demands, losses, damages, costs, and expenses of any nature, including attorney's fees and expenses, which the Contracting Authority may suffer as a result of any infringement or alleged infringement of any patent, utility model, registered design, trademark, copyright, or other intellectual property right registered or otherwise existing at the date of the Contract by reason of:
- (a) the installation of the Goods by the Contractor or the use of the Goods in the country where the Site is located; and
 - (b) the sale in any country of the products produced by the Goods.

Such indemnity shall not cover any use of the Goods or any part thereof other than for the purpose indicated by or to be reasonably inferred from the Contract, neither any infringement resulting from the use of the Goods or any part thereof, or any products produced thereby in association or combination with any other equipment, plant, or materials not supplied by the Contractor, pursuant to the Contract.

- 28.2 If any proceedings are brought or any claim is made against the Contracting Authority arising out of the matters referred to in GCC Sub-Clause 28.1, the Contracting Authority shall promptly give the Contractor a notice thereof, and the Contractor may at its own expense and in the Contracting Authority's name conduct such proceedings or claim and any negotiations for the settlement of any such proceedings or claim.
- 28.3 If the Contractor fails to notify the Contracting Authority within twenty-eight (28) days after receipt of such notice that it intends to conduct any such proceedings or claim, then the Contracting Authority shall be free to conduct the same on its own behalf.
- 28.4 The Contracting Authority shall, at the Contractor's request, afford all available assistance to the Contractor in conducting such proceedings or claim, and shall be reimbursed by the Contractor for all reasonable expenses incurred in so doing.
- 28.5 The Contracting Authority shall indemnify and hold harmless the Contractor and its employees, officers, and Subcontractors from and against any and all suits, actions or administrative proceedings, claims, demands, losses, damages, costs, and expenses of any nature, including attorney's fees and expenses, which the Contractor may suffer as a result of any infringement or alleged infringement of any patent, utility model, registered design, trademark, copyright, or other intellectual property right registered or otherwise existing at the date of the Contract arising out of or in connection with any design, data, drawing, specification, or other documents or materials provided or designed by or on behalf of the Contracting Authority.

29. Limitation of Liability

- 29.1 Except in cases of criminal negligence or shallful misconduct,
- (a) the Contractor shall not be liable to the Contracting Authority, whether in contract, tort, or otherwise, for any indirect or consequential loss or damage, loss of use, loss of production, or loss of profits or interest costs, provided that this exclusion shall not apply to any obligation of the Contractor to pay liquidated damages to the Contracting Authority and

(b) the aggregate liability of the Contractor to the Contracting Authority, whether under the Contract, in tort or otherwise, shall not exceed the total Contract Price, provided that this limitation shall not apply to the cost of repairing or replacing defective equipment, or to any obligation of the Contractor to indemnify the Contracting Authority with respect to patent infringement

30. Change in Laws and Regulations

30.1 Unless otherwise specified in the Contract, if after the date of 28 days prior to date of Bid submission, any law, regulation, ordinance, order or bylaw having the force of law is enacted, promulgated, abrogated, or changed in the place of the Contracting Authority's country where the Site is located (which shall be deemed to include any change in interpretation or application by the competent authorities) that subsequently affects the Delivery Date and/or the Contract Price, then such Delivery Date and/or Contract Price shall be correspondingly increased or decreased, to the extent that the Contractor has thereby been affected in the performance of any of its obligations under the Contract. Notwithstanding the foregoing, such additional or reduced cost shall not be separately paid or credited if the same has already been accounted for in the price adjustment provisions where applicable, in accordance with GCC Clause 14.

31. Force Majeure

31.1 The Contractor shall not be liable for forfeiture of its Performance Security, liquidated damages, or termination for default if and to the extent that its delay in performance or other failure to perform its obligations under the Contract is the result of an event of Force Majeure.

31.2 For purposes of this Clause, "Force Majeure" means an event or situation beyond the control of the Contractor that is not foreseeable, is unavoidable, and its origin is not due to negligence or lack of care on the part of the Contractor. Such events may include, but not be limited to, acts of the Contracting Authority in its sovereign capacity, wars or revolutions, fires, floods, epidemics, quarantine restrictions, and freight embargoes.

31.3 If a Force Majeure situation arises, the Contractor shall promptly notify the Contracting Authority in writing of such condition and the cause thereof. Unless otherwise directed by the Contracting Authority in writing, the Contractor shall continue to perform its obligations under the Contract as far as is reasonably practical and shall seek all reasonable alternative

means for performance not prevented by the Force Majeure event.

32. Change Orders and Contract Amendments

- 32.1 The Contracting Authority may at any time order the Contractor through notice in accordance GCC Clause 8, to make changes within the general scope of the Contract in any one or more of the following:
- (a) drawings, designs, or specifications, where Goods to be furnished under the Contract are to be specifically manufactured for the Contracting Authority;
 - (b) the method of shipment or packing;
 - (c) the place of delivery; and
 - (d) the Related Services to be provided by the Contractor.
- 32.2 If any such change causes an increase or decrease in the cost of, or the time required for, the Contractor's performance of any provisions under the Contract, an equitable adjustment shall be made in the Contract Price or in the Delivery/Completion Schedule, or both, and the Contract shall accordingly be amended. Any claims by the Contractor for adjustment under this Clause must be asserted within twenty-eight (28) days from the date of the Contractor's receipt of the Contracting Authority's change order.
- 32.3 Prices to be charged by the Contractor for any Related Services that might be needed but which were not included in the Contract shall be agreed upon in advance by the parties and shall not exceed the prevailing rates charged to other parties by the Contractor for similar services.
- 32.4 Subject to the above, no variation in or modification of the terms of the Contract shall be made except by written amendment signed by the parties.

33. Extensions of Time

- 33.1 If at any time during performance of the Contract, the Contractor or its subcontractors should encounter conditions impeding timely delivery of the Goods or completion of Related Services pursuant to GCC Clause 12, the Contractor shall promptly notify the Contracting Authority in writing of the delay, its likely duration, and its cause. As soon as practicable after receipt of the Contractor's notice, the Contracting Authority shall evaluate the situation and may at its discretion extend the Contractor's time for performance, in which case the extension shall be ratified by the parties by amendment of the Contract.
- 33.2 Except in case of Force Majeure, as provided under GCC Clause 31, a delay by the Contractor in the performance of its Delivery

and Completion obligations shall render the Contractor liable to the imposition of liquidated damages pursuant to GCC Clause 26, unless an extension of time is agreed upon, pursuant to GCC Sub-Clause 33.1.

34. Termination

34.1 Termination by the Contracting Authority

- (a) The Contracting Authority may, at any time and with immediate effect, subject to article 34.9, terminate the contract, except as provided for under Article 34.2.
- (b) Subject to any other provisions of these General Conditions, the Contracting Authority may, by giving seven day notice to the Contractor, terminate the contract in any of the following cases where:
 - (i) the Contractor is in serious breach of contract for failure to perform its contractual obligations;
 - (ii) the Contractor fails to comply within a reasonable time with the notice given by the Contract Manager requiring it to make good the neglect or failure to perform its obligations under the contract which seriously affects the proper and timely implementation of the tasks;
 - (iii) the Contractor refuses or neglects to carry out any administrative orders given by the Contract Manager;
 - (iv) the Contractor assigns the contract or subcontracts without the authorization of the Contracting Authority;
 - (v) the Contractor is bankrupt, subject to insolvency or winding up procedures, is having its assets administered by a liquidator or by the courts, has entered into an arrangement with creditors, has suspended business activities, or is in any analogous situation arising from a similar procedure provided for under national law or regulations;
 - (vi) any organizational modification occurs involving a change in the legal personality, nature or control of the Contractor, unless such modification is recorded in an addendum to the contract;
 - (vii) any other legal disability hindering performance of the contract occurs;
 - (viii) the Contractor has been guilty of grave professional misconduct proven by any means which the Contracting Authority can justify;
 - (ix) it has been established by a final judgment or a final administrative decision or by proof in possession of the Contracting Authority that the Contractor has been guilty of fraud, corruption, involvement in a criminal organization, money laundering or terrorist financing, terrorist related offences, child labour or other forms of

- trafficking in human beings or has committed an irregularity;
- (x) the Contractor, in the performance of another contract financed by IGAD or its donors has been declared to be in serious breach of contract, which has led to its early termination or the application of liquidated damages or other contractual penalties or which has been discovered following checks, audits or investigations by the Contracting Authority or the competent authorities of Member States;
 - (xi) after the award of the contract, the award procedure or the performance of the contract proves to have been subject to substantial errors, irregularities or fraud;
 - (xii) the award procedure or the performance of another IGAD financed contract proves to have been subject to substantial errors, irregularities or fraud;
 - (xiii) the Contractor fails to perform its obligations in accordance with this contract;
- (c) Termination shall be without prejudice to any other rights or powers under the contract of the Contracting Authority and the Contractor. The Contracting Authority may, thereafter, conclude any other contract with a third party, at the Contractor's own expense. The Contractor's liability for delay in completion shall immediately cease when the Contracting Authority terminates the contract without prejudice to any liability thereunder that may already have arisen.
 - (d) Upon termination of the contract or when it has received notice thereof, the Contractor shall take immediate steps to bring the implementation of the tasks to a close in a prompt and orderly manner and to reduce expenditure to a minimum.
 - (e) The Contract Manager shall, as soon as possible after termination, certify the value of the supplies and all sums due to the Contractor as at the date of termination.
 - (f) In the event of termination, the Contract Manager shall, as soon as possible and in the presence of the Contractor or his representatives or having duly summoned them, draw up a report on the supplies delivered and the incidental siting or installation performed and take an inventory of the materials supplied and unused. A statement shall also be drawn up of monies due to the Contractor and of monies owed by the Contractor to the Contracting Authority as at the date of termination of the contract.
 - (g) The Contracting Authority shall not be obliged to make any further payments to the Contractor until the supplies are

completed. After the supplies are completed, the Contracting Authority shall recover from the Contractor the extra costs, if any, of providing the supplies, or shall pay any balance still due to the Contractor.

- (h) If the Contracting Authority terminates the contract pursuant article 34.2, it shall, in addition to the extra costs for completion of the contract and without prejudice to its other remedies under the contract, be entitled to recover from the Contractor any loss it has suffered up to the value of the supply unless otherwise provided for in the Special Conditions.
- (i) Where the termination is not due to an act or omission of the Contractor, force majeure or other circumstances beyond the control of the Contracting Authority, the Contractor shall be entitled to claim in addition to sums owed to it for work already performed, an indemnity for loss suffered.
- (j) This contract shall be automatically terminated if it has not given rise to any payment in the two years following its signing by both parties.

34.2 Termination by the Contractor.

- (a) The Contractor may, by giving 14 days' notice to the Contracting Authority, terminate the contract if the Contracting Authority:
 - fails to pay the Contractor the amounts due under any certificate issued by the Contract Manager after the expiry of the time limit stated in the contract; or
 - Consistently fails to meet its obligations after repeated reminders; or
 - Suspends the delivery of the supplies, or any part thereof, for more than 180 days, for reasons not specified in the contract or not attributable to the Contractor's breach or default.
- (b) Such termination shall be without prejudice to any other rights of the Contracting Authority or the Contractor acquired under the contract.
- (c) In the event of such termination, the Contracting Authority shall pay the Contractor for any loss or damage the Contractor may have suffered.

35. Breach of contract

- (q) 35.1. Either party commits breach of contract where it fails to perform its obligations in accordance with the provisions of the contract.

- (r) 35.2. Where a breach of contract occurs, the party injured by the breach is entitled to the following remedies:
 - (i) damages
 - (ii) termination of the contract
- (s) 35.3. Damages may be either general damages or liquidated damages.
- (t) 35.4 Should the Contractor fail to perform any of its obligations in accordance with the provisions of the contract, the Contracting Authority is, without prejudice of its rights under 35.2, also entitled to the following remedies:
 - (u) a) suspension of payments; and or
 - (v) b) reduction or recovery of payments in proportion to the failure's extent.
- (w) 35.5. Where the Contracting Authority is entitled to damages, it may deduct such damages from any sums due to the Contractor or call on the appropriate guarantee.
- (x) 35.6. The Contracting Authority shall be entitled to compensation for any damage, which comes to light after the contract is completed in accordance with the law governing the contract.

36. Administrative sanctions

36.1. Without prejudice to the application of other remedies laid down in the contract, a sanction of exclusion from all contracts and grants financed by IGAD, may be imposed, after and adversarial procedure, upon the Contractor who, in particular

- (a) is guilty of grave professional misconduct, has committed irregularities or has been found in serious breach of its contractual obligations. The duration of the exclusion shall not exceed the duration set by final judgment or final administrative decision or, in the absence thereof, five years.
- b) is guilty of fraud, corruption, participation in criminal organization, money laundering, terrorist related offences, child labour or trafficking in human beings. The duration of the exclusion shall not exceed the duration set by final judgment or final administrative decision or, in the absence thereof, ten years.

36.2. In the situation mentioned in article 36.1, in addition or in alternative to the sanction of exclusion, the Contractor may also

be subject to financial penalties representing up to 10% of the contract price. This clause is not made to terrorize the Contractor, who is fully aware and accepts it.

- 36.3. Where the Contracting Authority is entitled to impose financial penalties, it may deduct such financial penalties from any sums due to the Contractor or call on the appropriate guarantee.
- 36.4. The decision to impose administrative sanctions may be published on a dedicated internet-site, explicitly naming the Contractor.
- 36.5. The above administrative sanctions may also be imposed to persons who are members of the administrative, management or supervisory body of the Contractor, to persons having powers of representation, decision or control with regard to the Contractor, to persons jointly and severally liable for the performance of the contract and to subcontractors.

37. Assignment

- 37.1. Neither the Contracting Authority nor the Contractor shall assign, in whole or in part, their obligations under this Contract, except with prior written consent of the other party.

38. Export Restriction

- 38.1 In case the conclusion of the contract is prevented by any export restrictions attributable to the Contracting Authority, to the country of the Contracting Authority or to the use of the products/goods or systems to be supplied in particular by sanctions arising from trade regulations from a country supplying those products/goods, systems or services, the Contractor shall not be bound by its bid, always provided, however, that the Contractor can demonstrate to the satisfaction of the Contracting Authority that it has completed all formalities in a timely manner, including applying for permits, authorizations and licenses necessary for the delivery of the products/goods, systems or services under the terms of the contract.
- 38.2 Notwithstanding any obligation under the contract to complete all export formalities, any export restrictions attributable to the Contracting Authority, to the country of the Contracting Authority or to the use of the products/goods, systems or services to be supplied, in particular any export restrictions arising from trade regulations from a country supplying those

products/goods, systems or services, that substantially impede the Contractor from meeting its obligations under the contract shall release the Contractor from the obligation to provide deliveries or services, always provided, however, that the Contractor can demonstrate to the satisfaction of the Contracting Authority that it has completed all formalities in a timely manner, including applying for permits, authorizations and licenses necessary for the delivery of the products/goods, systems or services under the terms of the contract.

SECTION II. SPECIAL CONDITIONS OF CONTRACT

The following Special Conditions of Contract (SCC) shall supplement and / or amend the General Conditions of Contract (GCC). Whenever there is a conflict, the provisions herein shall prevail over those in the GCC.

[The Contracting Authority shall select insert the appropriate wording using the samples below or other acceptable wording, and delete the text in italics]

GCC 1.1(h)	The Contracting Authority's country is: <i>[insert name of the Contracting Authority's Country]</i>
GCC 1.1(j)	The Contracting Authority is: <i>[Insert complete legal name of the Contracting Authority]</i>
GCC 1.1 (n)	The Project Site(s)/Final Destination(s) is/are: <i>[Insert name(s) and detailed information on the location(s) of the site(s)]</i>
GCC 4.2 (a)	The meaning of the trade terms shall be as prescribed by Incoterms. If the meaning of any trade term and the rights and obligations of the parties thereunder shall not be as prescribed by Incoterms, they shall be as prescribed by: <i>[exceptional; refer to other internationally accepted trade terms]</i>
GCC 4.2 (b)	The version edition of Incoterms shall be <i>[insert date of current edition]</i>
GCC 5.1	The language shall be: <i>[insert the name of the language]</i>
GCC 7.1	The Contractors and Sub-Contractors with the nationality in the following countries are ineligible: <i>[insert the countries or state "Not Applicable"]</i>
GCC 7.2	The Goods and Related Services to be supplied under the Contract with the origin from the following countries are ineligible: <i>[insert the countries or state "Not Applicable"]</i>

<p>GCC 8.1</p>	<p>For notices, the Contracting Authority’s address shall be:</p> <p>Attention: <i>[insert full name of person, if applicable]</i></p> <p>Street Address: <i>[insert street address and number]</i></p> <p>Floor/ Room number: <i>[insert floor and room number, if applicable]</i></p> <p>City: <i>[insert name of city or town]</i></p> <p>ZIP Code: <i>[insert postal ZIP code, if applicable]</i></p> <p>Country: <i>[insert name of country]</i></p> <p>Telephone: <i>[include telephone number, including country and city codes]</i></p> <p>Facsimile number: <i>[insert facsimile number, including country and city codes]</i></p> <p>Electronic mail address: <i>[insert e-mail address, if applicable]</i></p>
<p>GCC 9.1</p>	<p>The governing law shall be the law of: <i>[insert name of the country or state]</i></p>
<p>GCC 10.2</p>	<p>The rules of procedure for arbitration proceedings pursuant to GCC Clause 10.2 shall be as follows:</p> <p><i>[The bidding documents should contain one clause to be retained in the event of a Contract with a foreign Contractor and one clause to be retained in the event of a Contract with a Contractor who is a national of the Contracting Authority’s country. At the time of finalizing the Contract, the respective applicable clause should be retained in the Contract. The following explanatory note should therefore be inserted as a header to GCC 10.2 in the bidding document.</i></p> <p><i>“Clause 10.2 (a) shall be retained in the case of a Contract with a foreign Contractor and clause 10.2 (b) shall be retained in the case of a Contract with a national of the Contracting Authority’s country.”]</i></p> <p>(a) Contract with foreign Contractor:</p> <p><i>[For contracts entered into with foreign Contractors, International commercial arbitration may have practical advantages over other dispute settlement methods. IGAD should not be named as arbitrator, nor should it be asked to name an arbitrator. Among the rules to govern the arbitration proceedings, the Contracting Authority may wish to consider the United Nations Commission on International Trade Law (UNCITRAL) Arbitration Rules of 1976, the Rules of Conciliation and Arbitration of the International Chamber of Commerce (ICC), the Rules of the London Court of International Arbitration or the Rules of Arbitration Institute of the Stockholm Chamber of Commerce.]</i></p>

	<p><i>If the Contracting Authority chooses the UNCITRAL Arbitration Rules, the following sample clause should be inserted:</i></p> <p>GCC 10.2 (a)—Any dispute, controversy or claim arising out of or relating to this Contract, or breach, termination or invalidity thereof, shall be settled by arbitration in accordance with the UNCITRAL Arbitration Rules as at present in force.</p> <p><i>If the Contracting Authority chooses the Rules of ICC, the following sample clause should be inserted:</i></p> <p>GCC 10.2 (a)—All disputes arising in connection with the present Contract shall be finally settled under the Rules of Conciliation and Arbitration of the International Chamber of Commerce by one or more arbitrators appointed in accordance with said Rules.</p> <p><i>If the Contracting Authority chooses the Rules of Arbitration Institute of Stockholm Chamber of Commerce, the following sample clause should be inserted:</i></p> <p>GCC 10.2 (a)—Any dispute, controversy or claim arising out of or in connection with this Contract, or the breach termination or invalidity thereof, shall be settled by arbitration in accordance with the Rules of the Arbitration Institute of the Stockholm Chamber of Commerce.</p> <p><i>If the Contracting Authority chooses the Rules of the London Court of International Arbitration, the following clause should be inserted:</i></p> <p>GCC 10.2 (a)—Any dispute arising out of or in connection with this Contract, including any question regarding its existence, validity or termination shall be referred to and finally resolved by arbitration under the Rules of the London Court of International Arbitration, which rules are deemed to be incorporated by reference to this clause.</p> <p>(b) <i>Contracts with Contractor national of the Contracting Authority’s country:</i></p> <p>In the case of a dispute between the Contracting Authority and a Contractor who is a national of the Contracting Authority’s country, the dispute shall be referred to adjudication or arbitration in accordance with the laws of the Contracting Authority’s country.</p>
<p>GCC 12.1</p>	<p>Details of Shipping and other Documents to be furnished by the Contractor are <i>[insert the required documents, such as a negotiable bill of lading, a non-negotiable sea way bill, an airway bill, a railway consignment note, a road consignment note, insurance certificate, Manufacturer’s or Contractor’s warranty certificate, inspection certificate issued by nominated inspection agency, Contractor’s factory shipping details etc].</i></p>

	<p>The above documents shall be received by the Contracting Authority before arrival of the Goods and, if not received, the Contractor shall be responsible for any consequent expenses.</p>
<p>GCC 14.2</p>	<p>The prices charged for the Goods supplied and the related Services performed <i>[insert “shall” or “shall not,” as appropriate]</i> be adjustable.</p> <p>If prices are adjustable, the following method shall be used to calculate the price adjustment <i>[see attachment to these SCC for a sample Price Adjustment Formula]</i></p>
<p>GCC 15.1</p>	<p><i>Sample provision</i></p> <p>GCC 15.7—The method and conditions of payment to be made to the Contractor under this Contract shall be as follows:</p> <p>Payment for Goods supplied from abroad:</p> <ul style="list-style-type: none"> (i) Advance Payment: Ten (10) percent of the Contract Price shall be paid within thirty (30) days of signing of the Contract, and upon submission of claim and a bank guarantee for equivalent amount valid until the Goods are delivered and in the form provided in the bidding documents or another form acceptable to the Contracting Authority. (ii) On Shipment: Eighty (80) percent of the Contract Price of the Goods shipped shall be paid through irrevocable confirmed letter of credit opened in favor of the Contractor in a bank in its country, upon submission of documents specified in GCC Clause 12. (iii) On Acceptance: Ten (10) percent of the Contract Price of Goods received shall be paid within thirty (30) days of receipt of the Goods upon submission of claim supported by the acceptance certificate issued by the Contracting Authority. <p>Payment of local currency portion shall be made in _____ <i>[insert currency]</i> within thirty (30) days of presentation of claim supported by a certificate from the Contracting Authority declaring that the Goods have been delivered and that all other contracted Services have been performed.</p> <p>Payment for Goods and Services supplied from within the Contracting Authority’s country:</p> <p>Payment for Goods and Services supplied from within the Contracting Authority’s country shall be made as follows:</p> <ul style="list-style-type: none"> (i) Advance Payment: Ten (10) percent of the Contract Price shall be paid within thirty (30) days of signing of the Contract against a simple receipt and a bank guarantee for the equivalent amount and in

	<p>the form provided in the bidding documents or another form acceptable to the Contracting Authority.</p> <p>(ii) On Delivery: Eighty (80) percent of the Contract Price shall be paid on receipt of the Goods and upon submission of the documents specified in GCC Clause 12.</p> <p>(iii) On Acceptance: The remaining ten (10) percent of the Contract Price shall be paid to the Contractor within thirty (30) days after the date of the acceptance certificate for the respective delivery issued by the Contracting Authority.</p>
GCC 15.6	<p>The payment-delay period after which the Contracting Authority shall pay interest to the Contractor shall be <i>[insert number]</i> days.</p> <p>The interest rate that shall be applied is <i>[insert number]</i> %</p>
GCC 17.1	<p>A Performance Security <i>[insert “shall” or “shall not” be required]</i></p> <p><i>[If a Performance Security is required, insert “the amount of the Performance Security shall be: [insert amount]</i></p> <p><i>[The amount of the Performance Security is usually expressed as a percentage of the Contract Price. The percentage varies according to the Contracting Authority’s perceived risk and impact of non-performance by the Contractor. A 10% percentage is used under normal circumstances]</i></p>
GCC 17.3	<p>The Performance Security shall be in the form of a Bank Guarantee with the content specified in Appendix 1 to these Special Conditions of Contracts.</p> <p><i>[if other form is accepted indicate the form and when it can be accepted]</i></p>
GCC 17.4	<p>Discharge of the Performance Security shall take place: <i>[insert date if different from the one indicated in sub clause GCC 17.4]</i></p>
GCC 22.2	<p>The packing, marking and documentation within and outside the packages shall be: <i>[insert in detail the type of packing required, the markings in the packing and all documentation required]</i></p>
GCC 23.1	<p>The insurance coverage shall be as specified in the Incoterms.</p> <p>If not in accordance with Incoterms, insurance shall be as follows:</p> <p><i>[insert specific insurance provisions agreed upon, including coverage, currency an amount]</i></p>
GCC 24.1	<p>Responsibility for transportation of the Goods shall be as specified in the Incoterms.</p> <p>If not in accordance with Incoterms, responsibility for transportations shall be as follows: <i>[insert “The Contractor is required under the Contract to transport the Goods to a specified place of final destination within the Contracting Authority’s country, defined as the Project Site, transport to such place of</i></p>

	<i>destination in the Contracting Authority's country, including insurance and storage, as shall be specified in the Contract, shall be arranged by the Contractor, and related costs shall be included in the Contract Price"; or any other agreed upon trade terms (specify the respective responsibilities of the Contracting Authority and the Contractor)]</i>
GCC 25.1	The inspections and tests shall be: <i>[insert nature, frequency, procedures for carrying out the inspections and tests]</i>
GCC 25.2	The Inspections and tests shall be conducted at: <i>[insert name(s) of location(s)]</i>
GCC 26.1	The liquidated damage shall be: <i>[insert number]</i> % per week
GCC 26.1	The maximum amount of liquidated damages shall be: <i>[insert number]</i> %
GCC 27.3	The period of validity of the Warranty shall be: <i>[insert number]</i> days For purposes of the Warranty, the place(s) of final destination(s) shall be: <i>[insert name(s) of location(s)]</i>
GCC 27.5	The period for repair or replacement shall be: <i>[insert number(s)]</i> days.

Attachment: Price Adjustment Formula

If in accordance with GCC 14.2, prices shall be adjustable, the following method shall be used to calculate the price adjustment:

- 15.2 Prices payable to the Contractor, as stated in the Contract, shall be subject to adjustment during performance of the Contract to reflect changes in the cost of labor and material components in accordance with the formula:

$$P_1 = P_0 \left[a + \frac{bL_1}{L_0} + \frac{cM_1}{M_0} \right] - P_0$$

$$a+b+c = 1$$

in which:

- P_1 = adjustment amount payable to the Contractor.
- P_0 = Contract Price (base price).
- a = fixed element representing profits and overheads included in the Contract Price and generally in the range of five (5) to fifteen (15) percent.
- b = estimated percentage of labor component in the Contract Price.
- c = estimated percentage of material component in the Contract Price.
- L_0, L_1 = labor indices applicable to the appropriate industry in the country of origin on the base date and date for adjustment, respectively.
- M_0, M_1 = material indices for the major raw material on the base date and date for adjustment, respectively, in the country of origin.

The coefficients a, b, and c as specified by the Contracting Authority are as follows:

$a = [insert\ value\ of\ coefficient]$

$b = [insert\ value\ of\ coefficient]$

$c = [insert\ value\ of\ coefficient]$

The Bidder shall indicate the source of the indices and the base date indices in its bid.

Base date = thirty (30) days prior to the deadline for submission of the bids.

Date of adjustment = $[insert\ number\ of\ weeks]$ weeks prior to date of shipment (representing the mid-point of the period of manufacture).

The above price adjustment formula shall be invoked by either party subject to the following further conditions:

- (a) No price adjustment shall be allowed beyond the original delivery dates unless specifically stated in the extension letter. As a rule, no price adjustment shall be allowed for periods of delay for which the Contractor is entirely responsible. The

Contracting Authority shall, however, be entitled to any decrease in the prices of the Goods and Services subject to adjustment.

- (b) If the currency in which the Contract Price P_0 is expressed is different from the currency of origin of the labor and material indices, a correction factor shall be applied to avoid incorrect adjustments of the Contract Price. The correction factor shall correspond to the ratio of exchange rates between the two currencies on the base date and the date for adjustment as defined above.
- (c) No price adjustment shall be payable on the portion of the Contract Price paid to the Contractor as advance payment.

Appendixes to the Special Conditions of Contract - Forms

Table of Forms

[1. PERFORMANCE SECURITY](#) 86

[2. BANK GUARANTEE FOR ADVANCE PAYMENT](#) 87

(II) 1. Performance Security

26 [The bank, as requested by the successful Bidder, shall fill in this form in accordance
with the instructions indicated]

27

Date: *[insert date (as day, month, and year) of Bid Submission]*
Contract No. and title: *[insert number and title of the contract]*

28

29

Bank's Branch or Office: *[insert complete name of Guarantor]*

Beneficiary: *[insert complete name of Contracting Authority]*

PERFORMANCE GUARANTEE No.: *[insert Performance Guarantee number]*

We have been informed that *[insert complete name of Contractor]* (hereinafter called "the Contractor") has entered into Contract No. *[insert number]* dated *[insert day and month]*, *[insert year]* with you, for the supply of *[description of Goods and related Services]* (hereinafter called "the Contract").

Furthermore, we understand that, according to the conditions of the Contract, a Performance Guarantee is required.

At the request of the Contractor, we hereby irrevocably undertake to pay you any sum(s) not exceeding *[insert amount(s)²⁷ in figures and words]* upon receipt by us of your first demand in writing declaring the Contractor to be in default under the Contract, without cavil or argument, or your needing to prove or to show grounds or reasons for your demand or the sum specified therein.

This Guarantee shall expire no later than the *[insert number]* day of *[insert month]* *[insert year]*,²⁸ and any demand for payment under it must be received by us at this office on or before that date.

This guarantee is subject to the Uniform Rules for Demand Guarantees, ICC Publication No. 458, except that subparagraph (ii) of Sub-article 20(a) is hereby excluded.

[signatures of authorized representatives of the bank and the Contractor]

²⁷ The Bank shall insert the amount(s) specified in the SCC and denominated, as specified in the SCC, either in the currency(ies) of the Contract or a freely convertible currency acceptable to the Contracting Authority.

²⁸ Dates established in accordance with Clause 17.4 of the General Conditions of Contract ("GCC"), taking into account any warranty obligations of the Contractor under Clause 15.2 of the GCC intended to be secured by a partial Performance Guarantee. The Contracting Authority should note that in the event of an extension of the time to perform the Contract, the Contracting Authority would need to request an extension of this Guarantee from the Bank. Such request must be in writing and must be made prior to the expiration date established in the Guarantee. In preparing this Guarantee, the Contracting Authority might consider adding the following text to the Form, at the end of the penultimate paragraph: "We agree to a one-time extension of this Guarantee for a period not to exceed [six months] [one year], in response to the Contracting Authority's written request for such extension, such request to be presented to us before the expiry of the Guarantee."

(mm) 2. Bank Guarantee for Advance Payment

[The bank, as requested by the successful Bidder, shall fill in this form in accordance with the instructions indicated.]

Date: *[insert date (as day, month, and year) of Bid Submission]*
Contract No. and title: *[insert number and title of the contract]*

[bank's letterhead]

Beneficiary: *[insert legal name and address of Contracting Authority]*

ADVANCE PAYMENT GUARANTEE No.: *[insert Advance Payment Guarantee no.]*

We, *[insert legal name and address of bank]*, have been informed that *[insert complete name and address of Contractor]* (hereinafter called "the Contractor") has entered into Contract No. *[insert number]* dated *[insert date of Agreement]* with you, for the supply of *[insert types of Goods to be delivered]* (hereinafter called "the Contract").

Furthermore, we understand that, according to the conditions of the Contract, an advance is to be made against an advance payment guarantee.

At the request of the Contractor, we hereby irrevocably undertake to pay you any sum or sums not exceeding in total an amount of *[insert amount(s)²⁹ in figures and words]* upon receipt by us of your first demand in writing declaring that the Contractor is in breach of its obligation under the Contract because the Contractor used the advance payment for purposes other than toward delivery of the Goods.

It is a condition for any claim and payment under this Guarantee to be made that the advance payment referred to above must have been received by the Contractor on its account *[insert number and domicile of the account]*

This Guarantee shall remain valid and in full effect from the date of the advance payment received by the Contractor under the Contract until *[insert date³⁰]*.

This Guarantee is subject to the Uniform Rules for Demand Guarantees, ICC Publication No. 458.

²⁹ *The bank shall insert the amount(s) specified in the SCC and denominated, as specified in the SCC, either in the currency(ies) of the Contract or a freely convertible currency acceptable to the Contracting Authority.*

³⁰ *Insert the Delivery date stipulated in the Contract Delivery Schedule. The Contracting Authority should note that in the event of an extension of the time to perform the Contract, the Contracting Authority would need to request an extension of this Guarantee from the bank. Such request must be in writing and must be made prior to the expiration date established in the Guarantee. In preparing this Guarantee, the Contracting Authority might consider adding the following text to the Form, at the end of the penultimate paragraph: "We agree to a one-time extension of this Guarantee for a period not to exceed [six months][one year], in response to the Contracting Authority's written request for such extension, such request to be presented to us before the expiry of the Guarantee."*

**SECTION III. TECHNICAL REQUIREMENTS
(INCLUDING SCHEDULE OF REQUIREMENTS AND
TECHNICAL SPECIFICATIONS)**

SECTION IV. THE CONTRACTOR'S BID AND ORIGINAL PRICE SCHEDULES

**SECTION V. THE CONTRACTING AUTHORITY'S
NOTIFICATION OF AWARD**

Notification of Award

[letterhead paper of the Contracting Authority]

[date]

To: *[name and address of the Contractor]*

(q)

This is to notify you that your Bid dated *[date]* for the implementation of the Contract *[name of the Contract and identification number, as given in the Contract Data]* for the Accepted Contract Amount of the equivalent of *[amount in numbers and words] [name of currency]*, as corrected and modified in accordance with the Instructions to Bidders, is hereby accepted by the Contracting Authority.

You are requested to furnish the Performance Security within 28 days in accordance with the Conditions of Contract, using for that purpose the Performance Security Forms included in Appendixes to the Special Conditions of Contract - Forms, of the Bidding Document. *(delete the sentence if not applicable)*

(r)

Authorized Signature: _____

Name and Title of Signatory: _____

Name of Agency: _____